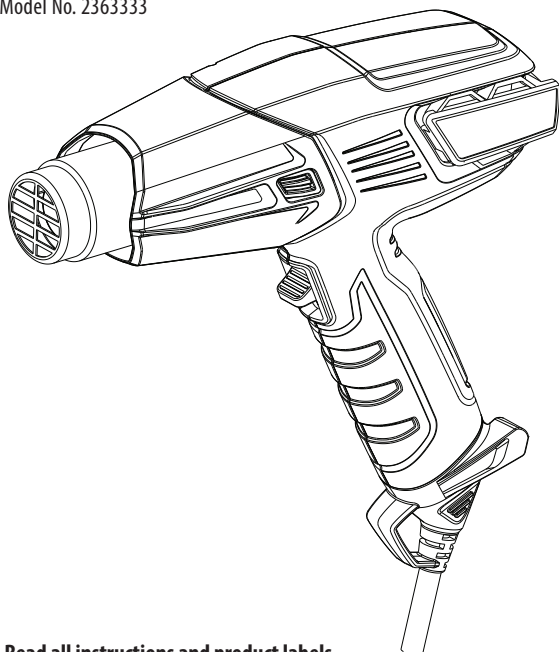


# WAGNER

Model No. 2363333



Read all instructions and product labels.  
When using electrical tools, follow all  
precautions to reduce the risk of fire, electric  
shock, and other personal injury.

# FURNO™ 300

## DUAL TEMPERATURE HEAT GUN

### OWNER'S MANUAL



Double-  
insulated



## Important Safety Information • Read all safety information before operating the equipment. SAVE THESE INSTRUCTIONS

To reduce the risks of fire or explosion, electrical shock and the injury to persons, read and understand all instructions included in this manual. Be familiar with the controls and proper usage of the equipment.



Indicates a hazardous situation which, if not avoided, could result in death or serious injury.



### HAZARD: POISON

Extreme care should be taken when stripping paint. The peelings, residue and vapors of paint may contain lead, which is poisonous. Any paint applied to homes before 1950 is likely to contain lead. Any paint manufactured before 1977 may contain lead. Once the paint is deposited on surfaces, hand-to-mouth contact can result in the ingestion of lead. Exposure to even low levels of lead can cause irreversible brain and nervous system damage. Young and unborn children are particularly vulnerable to lead poisoning.

Before beginning any paint removal process you should determine whether the paint you are removing contains lead. This can be done by your local health department or by a professional who uses a paint analyzer to check the lead content of the paint to be removed. Lead-based paint should only be removed by a professional and should not be removed using a heat gun.

### PREVENTION:

- Move the work piece outdoors. If this is not possible, keep the work area well ventilated. Open the windows and put an exhaust fan in one of them. Be sure the fan is moving the air from inside to outside.
- Remove or cover any carpets, rugs, furniture, clothing, cooking utensils and air ducts.
- Place drop cloths in the work area to catch any paint chips or peelings. Wear protective clothing such as extra work shirts, overalls and hats.
- Work in one room at a time. Furnishings should be removed or placed in the center of the room and covered. Work areas should be sealed off from the rest of the dwelling by sealing doorways with drop cloths.
- Children, pregnant or potentially pregnant women and nursing mothers should not be present in the work area until the work is done and all cleanup is complete.
- Wear a dust respirator mask of a dual filter respirator mask for dust and fumes which has been approved by the Occupational Safety and Health Administration (OSHA) the National Institute of Safety and Health (NIOSH), or the United States Bureau of Mines. These masks and replaceable filters are readily available at major hardware stores. Be sure that the mask fits properly. Beards and facial hair may keep masks from sealing properly. Change the filters often. Disposable paper masks are not adequate.
- Use caution when operating the heat gun. Keep the heat gun moving as excessive heat will generate fumes which can be inhaled by the operator.
- Keep food and drink out of the work area. Wash hands, arms and face and rinse mouth before eating or drinking. Do not smoke or chew gum or tobacco in the work area.
- Clean up all removed paint and dust by wet mopping the floors. Use a wet cloth to clean all walls, sills and any other surface where paint dust is clinging. Do not sweep, dry dust or vacuum. Use a high phosphate detergent of trisodium phosphate (TSP) to wash and mop areas.
- At the end of each work session, put the paint chips and debris in a double plastic bag, close it with tape or twist ties and dispose of properly.
- Remove protective clothing and work shoes in the work area to avoid carrying dust into the rest of the building. Wash work clothes separately. Wipe shoes off with a wet rag and then wash it with the work clothes. Wash hair and body thoroughly with soap and water.



**Important Safety Information • Read all safety information before operating the equipment. SAVE THESE INSTRUCTIONS**

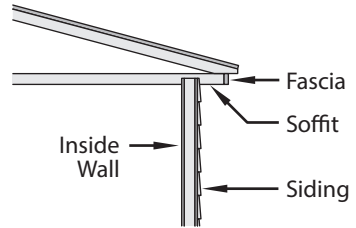


**HAZARD: EXPLOSION OR FIRE**

This heat gun produces extremely high temperatures (as high as 1100° F). It must be used with caution to prevent combustible material from igniting.

**PREVENTION:**

- Keep the gun in constant motion. Do not stop or dwell in one spot.
- Use extreme caution if the other side of the material being scraped is inaccessible, such as house siding. Hidden areas such as behind walls, ceilings, floors, soffit boards and other panels may contain flammable materials that could be ignited by the heat gun when working in these locations. The ignition of these materials may not be readily apparent and could result in property damage and injury to persons. When working in these locations, keep the heat gun moving in a back-and-forth motion. Linger or pausing in one spot could ignite the panel or the material behind it.
- Do not use near surfaces with cracks or near metal pipes or flashing. Heat may be conducted behind the work surface and ignite hidden material. The ignition of hidden materials may not be readily apparent and can result in property damage and injury.
- Do not use electric tools in the presence of flammable liquids or gases.
- Do not use near combustible materials such as dry grass, leaves, and paper which can scorch and catch fire.
- The nozzle becomes very hot. Do not lay the heat gun on flammable surfaces when operating the gun or immediately after shutting the gun off. Always set the gun on a flat, level surface so that the nozzle tip is directed upwards and away from the supporting surface.
- Do not touch the nozzle until the tool has cooled.
- Do not use the heat gun as a hair dryer.
- Tools and paint scrapings become very hot. To avoid burns, use work gloves and eye protection when scraping.
- Always treat the hot air units with the same respect as an open flame.
- A fire may result if the appliance is not used with care, therefore:
  - be careful when using the appliance in places where there are combustible materials;
  - do not apply to the same place for a long time;
  - do not use in presence of an explosive atmosphere;
  - be aware that heat may be conducted to combustible materials that are out of sight;
  - place the appliance on its stand after use and allow it to cool down before storage;
  - do not leave the appliance unattended when it is switched on.





**Important Safety Information • Read all safety information before operating the equipment. SAVE THESE INSTRUCTIONS**



**HAZARD: ELECTRIC**

May cause property damage, severe injury or loss of life.

**PREVENTION:**

- Do not disassemble the heat gun.
- Do not work in wet areas or expose the heat gun to rain.
- Guard against electric shock by preventing body contact with grounded surfaces such as pipes, radiators, ranges, aluminum ladders or other grounded devices.
- Do not abuse the electric cord. Never carry the heat gun by the cord or yank on the cord to disconnect it from the power supply. Keep the electric cord away from heat, oil and sharp edges. Inspect the cord for wear or damage regularly.
- Use only extension cords rated for outdoor use. If an extension cord is damaged or otherwise unsuitable for use, replace it with a new cord.
- **WARNING** - To reduce the risk of electric shock, do not expose this product to rain or moisture. Store indoors. Read instruction manual before using.
- If the supply cord is damaged, it must be replaced by the manufacturer, its service agent or similarly qualified person in order to avoid a hazard.



**HAZARD: GENERAL**

May cause property damage or severe injury.

**PREVENTION:**

- Do not point heat tool at yourself, others, or animals.
- ALWAYS disconnect the heat gun from the power supply when not in use. Store indoors in a dry place and out of the reach of children.
- Keep your work area well lit and clean.
- Do not overreach, especially when working on ladders. Keep proper footing and balance at all times. Be certain any ladders being used are sturdy, stable, on a firm surface, or on firm ground and erected at safe working angles.
- Avoid power lines.
- Keep moveable items secured and steady while scraping.
- Always use protective eyewear when working.
- Stay alert and use common sense when operating any tool.
- When using to thaw frozen pipes, always use the curved deflector (P/N 2366225). NEVER use to thaw pipes located inside walls or near combustibles.
- This appliance is not intended for use by persons (including children) with reduced physical, sensory or mental capabilities, or lack of experience and knowledge, unless they have been given supervision or instruction concerning use of the appliance by a person responsible for their safety.
- Children should be supervised to ensure that they do not play with the appliance.



**WARNING!**

Some dust, peelings, residue, and vapors caused by paint removal activities contain chemicals known to the state of California to cause birth defects or other reproductive harm. An example of a chemical would be lead from lead-based paints (do not use a heat tool to remove lead-based paint). Your risk from exposure varies, depending on how often you do this type of work. To reduce your exposure to these chemicals: work in a ventilated area, and work with approved safety equipment, such as those dust masks that are specially designed to filter out microscopic particles.

**For more information, go to [www.P65warnings.ca.gov](http://www.P65warnings.ca.gov)**



**Important Safety Information • Read all safety information before operating the equipment. SAVE THESE INSTRUCTIONS**

## Important Electrical Information

Use only an extension cord that will accept the plug on the product. Make sure your extension cord is in good condition. When using an extension cord, be sure to use one heavy enough to carry the current your product will draw. An undersized cord will cause a drop in line voltage resulting in loss of power and overheating. A SJT type cord is required. Cord shall be 14 AWG minimum for general indoor use.

This appliance has a polarized plug (one blade is wider than the other). To reduce the risk of electric shock, this plug is intended to fit in a polarized outlet only one way. If the plug does not fit fully in the outlet, reverse the plug. If it still does not fit, contact a qualified electrician. Do not modify the plug in any way. When servicing, only use identical service parts. Contact WAGNER for a replacement cordset.

## General Description

This heat gun is a quality power tool. Like any power tool, it can be dangerous when misused. Read the following instructions carefully and follow all safety precautions. It is the responsibility of the owner to use the heat gun properly. Only adults should use a heat gun.

## Specifications

Housing:.....Engineered high-impact corrosion and heat-resistant polymers  
Wattage: ..... 1200 Watts on high, 550 Watts on low. Operates on 110-120 VAC  
Heat Output: .....Approximately 1100°F on high, approximately 750°F on low  
Weight:..... 1.46 pounds



**For more details on multiple projects and 'how to' videos please visit [www.wagnerspraytech.com](http://www.wagnerspraytech.com).**

## Using the Heat Gun



**Always read the safety information included in this manual before using the heat gun.**

### Component Description (Fig. 1)

- 1) 2 speed switch  
(0 = OFF, 1 = LOW, 2 = HIGH)
- 2) Hanging hook
- 3) Handle stabilizers & cordset
- 4) Rear stabilizer fins (stand)
- 5) Heat shield

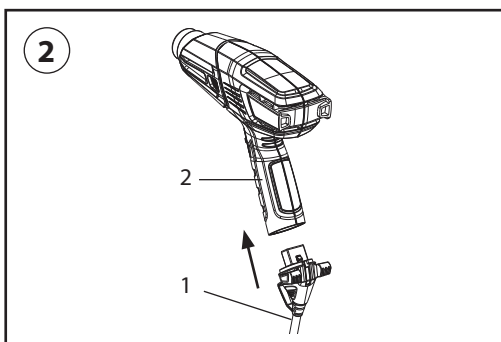


### Attaching the power cord (Fig. 2)

The power cord (Fig. 2, 1) for the heat gun is delivered detached from the gun (Fig. 2, 2).

To attach, line up the cord by the forward facing groove with the socket on the handle of the gun and press together until you hear a click.

This will permanently attach the cord. It cannot be removed once installed.



### Hands-free operation (Fig. 3)

The heat gun has an integrated stand for bench top applications and cool down mode.



### Startup

1. Plug the unit into a standard wall outlet.
2. Turn on the unit by moving the switch to the desired setting. The motor driven fan noise will indicate that the unit is running. The heating coil will glow.
3. Always disconnect heat gun from the power supply at completion of task.

**Note: Smoke may appear during the initial start up due to the burning of manufacturing oils. The smoke should disappear in less than a minute.**

## Heating Guidelines

The heat gun is one of the most versatile tools you can own. It can be used for a great variety of projects, from big DIY to small Art & Crafts jobs.

Use		Heat Setting	Nozzle Tip Options*
<b>DIY</b>	Stripping paint	HIGH	Concentrator or Flare
	Wall repair	LOW/HIGH	Open (no tip)
	Drying paint	LOW/HIGH	Open (no tip)
	Soften adhesives to remove floor tiles	LOW/HIGH	Flare
	Bend plastic, plexiglass, formica	LOW/HIGH	Open / Concentrator
	Removing formica and linoleum	LOW/HIGH	Flare
	Soften paint, caulking and putty for easier removing (use heat shield)	HIGH	Concentrator or Flare
	Shrink plastic film for wrapping or weatherproofing	LOW/HIGH	Flare
<b>Small jobs (including repair)</b>	Loosen rusted nuts, bolts and fittings	HIGH	Open / Concentrator
	Removing adhesives	LOW/HIGH	Open (no tip)
	Waxing skis/snowboard	LOW/HIGH	Flare
	Glass fiber work	LOW/HIGH	Concentrator or Flare
	Unfreezing pipes	LOW	Curved deflector
	Lighting a BBQ grill	HIGH	Concentrator / BBQ Nozzle
	Heat concrete prior to patching	LOW/HIGH	Concentrator
	Defrosting refrigerator / freezer	LOW/HIGH	Open (no tip)
<b>Arts &amp; Crafts</b>	Making candles	LOW	Open (no tip)
	Making soap	LOW	Open (no tip)
	Shrink wrapping presents	LOW	Open (no tip)
	Forming foam	LOW	Open (no tip)
	Cookie decoration	LOW/HIGH	Open (no tip)
<b>Automotive</b>	Removing stickers, emblems and decals	LOW/HIGH	Open (no tip)
	Removing dents	LOW/HIGH	Open (no tip)
	Removing paint	HIGH	Concentrator or Flare
	Applying and removing window tint	LOW/HIGH	Open (no tip)
	Restoring bumpers	LOW/HIGH	Open (no tip)
<b>Electronics</b>	Smartphone & tablet repair	LOW	Concentrator
	PlayStation and Xbox repair	LOW	Concentrator

\*Nozzle tips may not be included with your heat gun. See Accessories page 8.

**IMPORTANT: If the blower motor in the heat gun does not turn on when the switch is set to either LOW or HIGH, turn the switch OFF immediately. The heating element will burn out if it is not cooled by the blower.**

**Note:** Always set the heat gun upright after it is turned off, either for a short break or for storage. Avoid laying the unit on the side after shutdown. The heat will remain in the unit and cooling will take longer. Store the unit only after the nozzle is cool. Unplug the unit before storing to prevent accidental startup.

**IMPORTANT:** Always protect glass when working near windows.



**Do not touch nozzle or the scraper blade when working. These become extremely hot and will cause severe burns. Wear gloves to protect hands from hot scrapings.**

## Stripping Paint

**IMPORTANT:** Read the general operating and safety information sections of this owner's manual before using the heat gun.

The heat gun heats up the surface and causes the paint to soften, at which time it can be scraped off easily without damaging the surface. Some paints may soften even though they do not blister; some may become rubbery, and some may require higher heat.

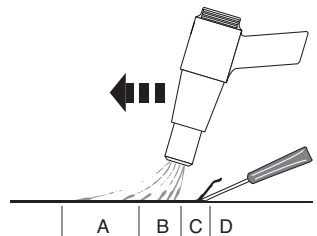
When working with several layers of paint, it speeds up the scraping process to heat the surface thoroughly, all the way to the wood. Then all the layers can be scraped at one time.

A soft wire brush may be the best tool to use for very intricate surfaces. Mineral paints and finishes, such as cement paint and porcelain, do not soften with heat, so using a heating tool will not work for paint removal.

### The best method of paint removal

Move the gun slowly and steadily forward at an angle to the surface, pointing the nozzle in the direction of motion. This allows you to scrape safely outside the hot air stream and keeps the scraper and the scraped surface cooler.

- A. Warm air preheats the surface.
- B. Paint is softened by hot air.
- A + B. Deep penetration of heat over total area.
- C. Paint can be easily scraped off as soon as it is softened and the gun is moved forward.
- D. Stripped surface allowed to cool.



**Note:** Do not use the heat gun on surfaces that can be damaged by heat, such as vinyl-coated paneling, siding or window frames.

**When removing paint from window frames, the heat gun will soften the putty. Be careful not to gouge the putty with the scraper. The putty will firm up after it cools.**

**Do not use the heat gun on insulating laminated window glass such as Thermopane. The glass edge expansion may break the edge seal.**

**When scraping fascia, do not overheat the edges of the asphalt shingles protruding over the edge of the sheathing. Too much heat will melt the asphalt.**

**IMPORTANT:** The removal of paint by heat gun is safe if the above guidelines are used, but always keep either a container of water or an ABC fire extinguisher (suitable against Class A, B and C type fires) within reach.



## Cleaning and Maintenance

Keep the intake openings on the housing clean and free of obstructions. Use a soft, dry brush to clean the openings periodically. Use only mild soap and a damp cloth to clean the heat gun. Many household cleaners contain chemicals which could seriously damage the housing.

Do not use gasoline, turpentine, lacquer or paint thinner, dry cleaning fluids or similar products when cleaning the heat gun. Never allow any liquid to get inside the tool or immerse any part of the tool into a liquid.





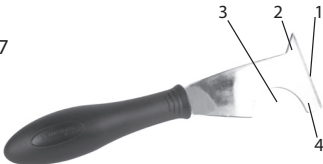
## Storage

Allow the heat gun nozzle to cool to room temperature before placing in storage.

The nozzle will turn dark over time because of the high heat. This is normal and will not affect the performance or life of the unit.

## Accessories

The following accessories may come with the heat gun or may be purchased separately by calling 1-800-727-4023.

Name	Description	Name	Description
Concentrator P/N 2366222 	Directs a concentrated heat flow to the work surface. Ideal for removing paint in awkward corners, crevices, mouldings, beading or architraves.	Glass Protector P/N 2366224 	Deflects the heat away from glass or other fragile areas. Ideal for window sills, ledges, frames and skirting boards.
Flare P/N 2366223 	Directs a long, narrow heat pattern to the work surface. Ideal for removing paint or varnish from large, flat surfaces such as skirting boards, doors, stairs, etc. It should be used in conjunction with a flat scraper.	Curved Deflector P/N 2366225 	Disperses the heat flow evenly around the whole work surface. Ideal for thawing frozen pipes, solder pipe work, bending plastics or heat shrinking electrical insulating tubing.
Name		Description	
5-in-1 tool P/N 2366227 	The blade (1) is used to scrape paint and spread compound. The gouge point (2) is used to remove putty/caulk and the curved area (3) is used to clean roller covers. Flat side (4) can also be used to open paint cans.		

**IMPORTANT: Always use gloves when handling the heat gun.**

### To attach a nozzle to the gun:

1. Set the heat gun upright on a level surface until the tip is cool.
2. Set the item onto the tip of the heat gun and push firmly into place by hand.

### To remove a nozzle:

1. Set the heat gun upright on a level surface until the tip is cool.
2. Pull the item off of the tip.

## Product Registration

Register your product online at [www.wagnerspraytech.com](http://www.wagnerspraytech.com).

### **Wagner two year limited warranty - Keep on file**

This product, manufactured by Wagner Spray Tech Corporation (Wagner), is warranted against defects in material and workmanship for two years following the date of purchase if operated in accordance with Wagner's printed recommendations and instructions. This warranty does not cover any defects or damages caused by service or repair performed by unauthorized personnel.

ANY IMPLIED WARRANTY OF MERCHANTABILITY OR FITNESS FOR A PARTICULAR PURPOSE IS LIMITED TO TWO YEARS FOLLOWING THE DATE OF PURCHASE. WAGNER SHALL NOT IN ANY EVENT BE LIABLE FOR ANY INCIDENTAL OR CONSEQUENTIAL DAMAGES OF ANY KIND, WHETHER FOR BREACH OF THE WARRANTY OR ANY OTHER REASON. THIS WARRANTY DOES NOT APPLY TO ACCESSORIES.

THE PRODUCT IS DESIGNED FOR HOME USAGE ONLY. IF USED FOR COMMERCIAL OR RENTAL PURPOSES, THIS WARRANTY APPLIES ONLY FOR 30 DAYS FROM THE DATE OF PURCHASE.

If any product is defective in material and workmanship during the applicable warranty period, return it with proof of purchase, transportation prepaid to Wagner Spray Tech, 6151 Queens Ave., Otsego, MN 55330. Wagner will either repair or replace the product (at Wagner's option) and return it to you, postage prepaid.

SOME STATES DO NOT ALLOW LIMITATIONS ON HOW LONG AN IMPLIED WARRANTY LASTS OR THE EXCLUSION OF INCIDENTAL OR CONSEQUENTIAL DAMAGES, SO THE ABOVE LIMITATION AND EXCLUSION MAY NOT APPLY TO YOU.

THIS WARRANTY GIVES YOU SPECIFIC LEGAL RIGHTS, AND YOU MAY ALSO HAVE OTHER RIGHTS WHICH VARY FROM STATE TO STATE.

### **Questions?**

Call Wagner Technical Service at:

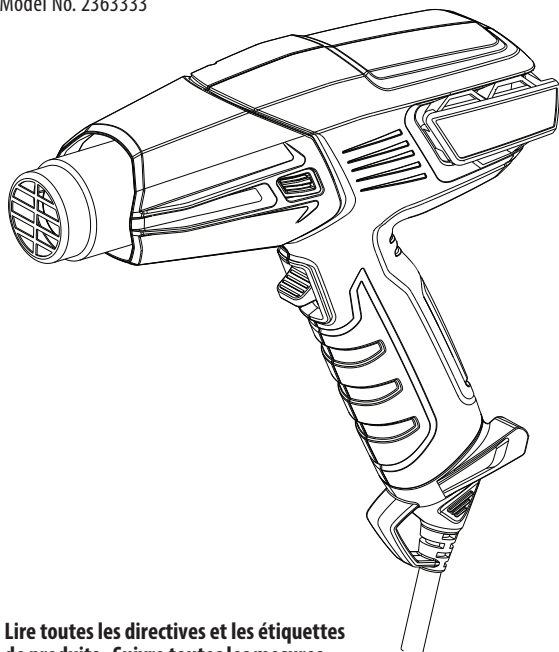
**1-800-727-4023**

Register your product online at:

**[www.wagnerspraytech.com](http://www.wagnerspraytech.com)**

# WAGNER

Model No. 2363333



**Lire toutes les directives et les étiquettes de produits. Suivre toutes les mesures de sécurité lors de l'utilisation d'outils électriques afin de réduire tout risque d'incendie, de choc électrique ou de blessure.**

# FURNO™ 300

## PISTOLET À AIR CHAUD À DEUX TEMPÉRATURES

### GUIDE D'UTILISATION



Double  
isolation



## Importantes consignes de sécurité • Lire toutes ces consignes avant d'utiliser l'appareil. GARDER CES CONSIGNES.

Pour réduire les risques d'incendie ou d'explosion, de choc électrique et de blessure, vous devez lire et comprendre les directives figurant dans ce manuel. Familiarisez-vous avec les commandes et l'utilisation adéquate de l'équipement.



Indique une situation à risque, laquelle, si elle n'est pas évitée, peut entraîner des blessures graves, voire la mort.



### RISQUE D'EMPOISONNEMENT -

Il est essentiel de faire preuve d'une extrême prudence lors du décapage d'une surface peinte. Les pellicules, les résidus et les émanations de peinture peuvent contenir du plomb, un produit toxique. Toute peinture ayant été appliquée sur des maisons avant 1950 est susceptible de contenir du plomb; et toute peinture ayant été fabriquée avant 1977 peut aussi contenir du plomb. Une fois que la peinture est déposée sur une surface, le fait de porter la main à la bouche peut entraîner l'ingestion d'une quantité de plomb. Cette quantité, si minime soit-elle, peut causer des dommages irréversibles sérieux au cerveau ou au système nerveux. Les jeunes enfants et les foetus sont particulièrement vulnérables à ce type d'empoisonnement.

Avant de commencer tout décapage d'une surface peinte, il est essentiel de vérifier si la peinture contient du plomb. Cette opération peut être effectuée par un service de la santé local, ou par un professionnel, à l'aide d'un analyseur de peinture servant à vérifier le contenu en plomb de la peinture. **LES PEINTURES CONTENANT DU PLOMB NE DOIVENT ÊTRE ENLEVÉES QUE PAR UN PROFESSIONNEL; LE PISTOLET À AIR CHAUD NE PEUT ÊTRE, DANS UN TEL CAS, UTILISÉ.**

### MESURES PRÉVENTIVES :

- Déplacer l'objet à décaper à l'extérieur. Si cela n'est pas possible, s'assurer que la zone de travail reçoit un bon apport d'air. Ouvrir les fenêtres et placer un ventilateur d'évacuation à l'intérieur de l'une d'elles. S'assurer que le ventilateur déplace l'air de l'intérieur à l'extérieur.
- Enlever ou recouvrir tout tapis, toute carquette, tout meuble, tout vêtement, tout ustensile de cuisine et tout conduit d'air.
- Placer des toiles de protection à l'intérieur de la zone de travail, afin de recueillir toute pellicule ou tout éclat de peinture. Porter des vêtements de protection, tels qu'une chemise de travail supplémentaire, une combinaison et un chapeau.
- Ne travailler que dans une seule pièce à la fois. Les meubles doivent être retirés ou placés au centre de la pièce et recouverts. La pièce dans laquelle s'effectue le travail doit être isolée du reste de l'édifice à l'aide de toiles de protection placées sur les portes.
- Les enfants, les femmes enceintes ou possiblement enceintes, ainsi que les mères qui allaitent, ne doivent pas pénétrer dans la pièce tant et aussi longtemps que le travail n'est pas terminé et que le nettoyage n'a pas été effectué.
- Porter un masque anti-poussière ou un masque à deux filtres contre la poussière et les émanations, ayant été approuvé par l'Occupational Safety and Health Administration (OSHA), le National Institute of Safety and Health (NIOSH), ou le United States Bureau of Mines. Ces masques, ainsi que les filtres jetables, peuvent être facilement obtenus chez les principaux quincailliers. S'assurer que le masque s'adapte bien aux formes du visage. La barbe et les poils faciaux peuvent empêcher le masque de bien adhérer au visage. Changer les filtres régulièrement. **LES MASQUES EN PAPIER JETABLES NE SONT PAS ACCEPTÉS.**
- Faire preuve de prudence lors de l'utilisation du pistolet. Garder ce dernier constamment en mouvement, étant donné qu'une chaleur excessive engendre des vapeurs pouvant être inhalées par l'opérateur.
- Conserver toute nourriture et tout breuvage à l'extérieur de la pièce où s'effectue le travail. Se laver les mains, les bras et le visage, et se rincer la bouche avant de manger ou



## Importantes consignes de sécurité • Lire toutes ces consignes avant d'utiliser l'appareil. GARDER CES CONSIGNES.

de boire. Ne pas fumer ou mastiquer de la gomme à mâcher ou du tabac dans la pièce dans laquelle on effectue le travail.

- Enlever tous les résidus de peinture et toute la poussière en essuyant le plancher à l'aide d'un balai à franges humide. Utiliser aussi un linge humide pour nettoyer tous les murs, tous les rebords et toute autre surface pouvant comporter des résidus de peinture. NE PAS BALAYER, ÉPOUSSETER OU UTILISER D'ASPIRATEUR. Au cours de l'opération de nettoyage, utiliser un détergent à haute teneur de phosphate trisodique.
- À la fin de chaque session de travail, placer les éclats et les débris de peinture dans un sac en plastique double, le fermer à l'aide d'un ruban adhésif ou d'attaches, puis en disposer d'une manière adéquate.
- Retirer les vêtements de protection et les chaussures de travail avant de quitter la zone de travail, afin d'éviter de transporter de la poussière dans le reste de l'édifice. Laver les vêtements de travail séparément. Essuyer les chaussures avec un linge humide, puis les laver avec les vêtements de travail. Se laver les cheveux et le corps entièrement avec de l'eau et du savon.

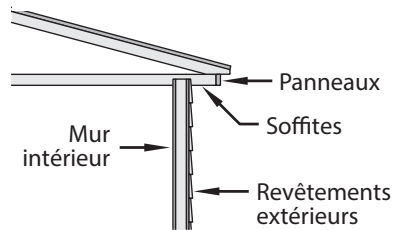


### RISQUE D'EXPLOSION OU D'INCENDIE

Le pistolet à air chaud génère des températures extrêmement élevées (pouvant atteindre 1100°F, ou 593°C). Il doit donc être utilisé avec prudence, afin d'éviter toute inflammation de matériau combustible.

### MESURES PRÉVENTIVES :

- Garder le pistolet constamment en mouvement. Ne pas s'arrêter ou s'attarder à un endroit précis.
- Agir avec une extrême prudence lorsque la partie se trouvant à l'arrière du matériau devant être enlevé est inaccessible, tel le revêtement extérieur d'une maison. Endroits cachés tels que derrière les murs, plafonds, planchers, planches d'intrados et d'autres panneaux peuvent contenir des matériaux inflammables qui pourraient être allumés par le pistolet thermique lorsque l'on travaille dans ces endroits. L'allumage de ces matériaux peut ne pas être évident et pourrait entraîner des dommages matériels et des blessures à des personnes. Lorsque vous travaillez dans ces endroits, garder le pistolet à air chaud se déplaçant dans un mouvement de va-et-vient. Persistante ou la pause dans un endroit pourrait enflammer le panneau ou de la matière derrière elle.
- Ne pas utiliser l'appareil à proximité de surfaces présentant des fissures ou à proximité de conduits en métal ou de bandes d'étanchéité. La chaleur peut traverser la surface de travail et enflammer le matériau caché. L'inflammation d'un matériau caché n'étant pas toujours facile à déceler, des blessures ou des dommages matériels peuvent en résulter.
- Ne pas utiliser d'outils électriques à proximité de liquides ou de gaz inflammables.
- Ne pas utiliser l'appareil à proximité de matériaux combustibles, tels que de l'herbe ou des feuilles sèches, ou encore, du papier, étant donné que ces derniers peuvent s'enflammer rapidement.
- La buse devient très chaude. Par conséquent, ne pas déposer le pistolet sur des surfaces inflammables lors de son utilisation ou immédiatement après l'avoir arrêté. Toujours déposer le pistolet sur une surface plate et de niveau de façon que le bec de la buse soit dirigé vers le haut et, de par le fait même, éloigné de la surface.
- Ne pas toucher la buse avant que l'outil ne soit refroidi.
- Ne pas utiliser le pistolet en tant que séchoir à cheveux.
- Les outils et les raclures de peinture deviennent très chauds. Pour éviter toute brûlure, porter des gants de travail et une protection oculaire lors de l'opération de raclage.





## Importantes consignes de sécurité • Lire toutes ces consignes avant d'utiliser l'appareil. GARDER CES CONSIGNES.

- Toujours traiter les unités d'air chaud avec la même précaution que s'il s'agissait d'une flamme nue.
- Un incendie pourrait être déclenché si l'appareil n'est pas utilisé avec prudence :
  - Faire attention pendant l'utilisation de l'appareil à des endroits où il y a des matières combustibles;
  - Ne pas laisser au même endroit pendant longtemps;
  - Ne pas utiliser en présence d'un atmosphère explosif;
  - Il faut savoir que la chaleur peut atteindre des matières combustibles hors de la vue;
  - Placer l'appareil sur son support après l'utilisation pour le laisser refroidir avant de le ranger;
  - Ne pas laisser l'appareil sans surveillance lorsqu'il est allumé.



### RISQUES AU NIVEAU DES ÉLÉMENTS ÉLECTRIQUES

Peut causer des dommages matériels, des blessures graves ou même mortelles.

#### MESURES PRÉVENTIVES :

- Ne démontez pas le pistolet à air chaud.
- Ne pas travailler dans un endroit humide ou exposer le pistolet à la pluie.
- Se protéger contre les chocs électriques en évitant tout contact du corps avec des éléments mise à la terre, telles que des conduits, des radiateurs, des cuisinières, des échelles en aluminium, ou tout autre dispositif mis à la terre.
- Ne pas faire un usage abusif du cordon électrique. Ne jamais transporter le pistolet à l'aide du cordon électrique, ou tirer sur ce dernier pour débrancher l'appareil. Garder le cordon électrique éloigné des sources de chaleur, des contenants d'huile ou des arêtes vives. Vérifier régulièrement le cordon, afin de s'assurer que ce dernier n'est pas usé ou endommagé.
- N'utiliser que les rallonges appropriées à un usage extérieur. Si une rallonge est endommagée ou autrement inadéquate, la remplacer.
- **AVERTISSEMENT** - Afin d'éviter tout risque d'électrocution, ne pas exposer à l'eau de pluie ou à l'humidité. A stocker à l'intérieur. Lire le manuel de l'utilisateur avant chaque utilisation.
- Si le cordon d'alimentation est endommagé, il doit être remplacé par le fabricant, son agent de service ou une personne qualifiée afin d'éviter tout danger.



### RISQUES D'ORDRE GÉNÉRAL

Peut causer des dommages matériels ou des blessures graves.

#### MESURES PRÉVENTIVES :

- Ne dirigez pas l'outil chauffant sur vous-même, les autres ou les animaux.
- Toujours débrancher le pistolet à air chaud lorsque ce dernier n'est pas utilisé. L'entreposer à l'intérieur dans un endroit sec et hors de la portée des enfants.
- Maintenir la zone de travail propre et assurer un bon éclairage.
- Ne pas trop étirer le corps, surtout lorsque l'on travaille sur une échelle. Se maintenir dans une position stable en tout temps. S'assurer que les échelles sont solides, ou la terre ferme, bien en équilibre et érigées sur une surface plate et à un angle sécuritaire.
- Éviter les fils électriques.
- Garder les articles amovibles stables et en lieu sûr lors de l'opération de décapage.
- Toujours utiliser des lunettes de protection au cours de l'opération.
- Toujours être vigilant et faire preuve de jugement lors de l'utilisation de n'importe quel outil.



## Importantes consignes de sécurité • Lire toutes ces consignes avant d'utiliser l'appareil. GARDER CES CONSIGNES.

- Toujours utiliser buse déflecteur incurvé (P/N 2366225) pour dégeler des tuyaux. NE JAMAIS utiliser pour dégeler des tuyaux situés à l'intérieur des murs ou près de combustibles.
- Cet appareil n'est pas destiné à être utilisé par des personnes (y compris des enfants) ayant des capacités physiques, sensorielles ou mentales réduites, ou un manque d'expérience ou de connaissances, à moins qu'elles soient supervisées ou qu'elles aient reçu des consignes concernant l'utilisation de l'appareil d'une personne responsable pour leur sécurité.
- Les enfants devraient être supervisés afin de faire en sorte qu'ils ne jouent pas avec l'appareil.



### MISE EN GARDE!

Certains fragments, résidus, poussières et vapeurs engendrés par l'enlèvement de peinture contiennent des produits chimiques que l'état de la Californie reconnaît comme générateurs d'anomalies congénitales ou de troubles reproductifs. On peut notamment penser à l'élément principal des peintures à base de plomb, en présence desquelles on ne doit pas utiliser de décamper thermique. Les risques varient en fonction de la fréquence et du degré d'exposition; pour réduire ce dernier, on doit toujours travailler dans un endroit bien ventilé et être muni d'équipement de sécurité approuvé, comme un masque antipoussières spécialement conçu pour filtrer les particules microscopiques.

**Pour plus d'informations, rendez-vous à [www.P65warnings.ca.gov](http://www.P65warnings.ca.gov)**

## Renseignements importants sur l'électricité

Utilisez uniquement une rallonge qui acceptera la fiche du produit. S'assurer que la rallonge est en bon état. S'assurer également que cette dernière convient au courant consommé par l'appareil. Une rallonge de calibre inférieur produirait une perte de tension, entraînant une perte de puissance et une surchauffe de l'appareil. Un cordon de type SJT est nécessaire. Cordon doit être 14 AWG minimum pour un usage général à l'intérieur.

Le pistolet à air chaud est muni d'une fiche polarisée. Une pale est plus large que l'autre. Afin de réduire le risque de choc électrique, la fiche a été conçue pour se brancher dans une prise polarisée d'une seule manière. Si vous ne pouvez insérer la fiche à fond dans la prise, inversez-la. Si elle ne s'enfonce toujours pas correctement, consultez un électricien qualifié. Veuillez n'apporter aucune modification à la fiche. Lors de l'entretien, utiliser uniquement des pièces de rechange identiques. Contactez WAGNER pour un cordon de remplacement.

## Description générale

Le pistolet à air chaud est un outil électrique de qualité. Comme tout autre outil électrique, une utilisation non adéquate de l'appareil pourrait s'avérer dangereuse. Il est donc important de lire attentivement les directives présentées ci-dessous et de respecter toutes les mesures de sécurité indiquées. Il incombe au propriétaire d'utiliser cet appareil correctement. L'utilisation du pistolet à air chaud est réservée uniquement aux personnes adultes.

## Spécifications

Boitier: ..... fabrication en polymère hautement résistant à la corrosion et à la chaleur

Tension: ..... 1 200 W en régime élevé et 550 W en régime lent; alimentation : entre 110 et 120 V c.a.

Chaleur émise: ..... environ 593°C (1 100°F) en régime élevé et 399°C (750°F) en régime lent

Poids: ..... 0,66 kg (1,46 lb)



**Pour de plus amples renseignements sur plusieurs projets et vidéos « pratico-pratique », veuillez consulter le site [www.wagnerspraytech.com](http://www.wagnerspraytech.com).**

# Utilisation du Pistolet à Air Chaud



**Toujours lire les consignes de sécurité incluses dans le présent manuel avant d'utiliser le pistolet à air chaud.**

## Description du composant (fig. 1)

- 1) Interrupteur à deux vitesses  
(0 = ARRÊT, 1 = BAS, 2 = ÉLEVÉ)
- 2) Anneau
- 3) Stabilisateurs de la poignée et cordon amovible
- 4) Bavures stabilisatrices arrière (support)
- 5) Écran thermique

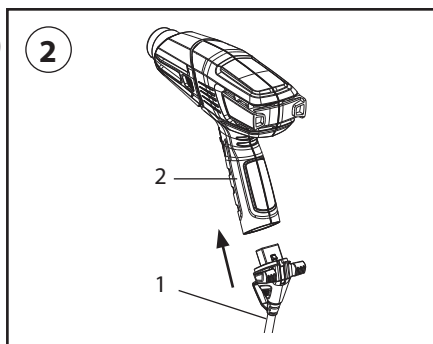


## Fixation du cordon d'alimentation (fig. 2)

Le cordon d'alimentation (fig. 2, 1) du pistolet à air chaud est livré séparé du pistolet (fig. 2, 2).

Pour le fixer, aligner le cordon près de la rainure faisant face vers l'avant avec l'emboîtement sur la poignée du pistolet et pousser les pièces ensemble jusqu'à ce qu'un déclic soit entendu.

Cela attachera le cordon de façon permanente. Il ne peut pas être retiré une fois installé.



## Fonctionnement mains libres (Fig. 3)

Le pistolet à air chaud dispose d'un support intégré pour les applications sur table et le refroidissement.



## Démarrage

1. Enfiler l'outil dans une prise standard.
2. Mettre le dispositif en marche en plaçant l'interrupteur à la position voulue; lorsque l'appareil est en marche, le ventilateur motorisé émet un bruit. La bobine thermique s'allumera.
3. Toujours débrancher le pistolet à air chaud de l'alimentation électrique à la fin de la tâche.

**Remarque : De la fumée causée par la combustion des huiles de fabrication peut se manifester au cours du démarrage initial. Cette fumée devrait disparaître en moins d'une minute.**



## Lignes directrices en matière de chauffage

Le pistolet à air chaud est l'un des outils les plus polyvalents que l'on puisse posséder. Le pistolet peut être utilisé pour une grande variété de projets, qu'il s'agisse de gros projets de bricolage ou de petits projets d'artisanat.

Utilisation		Réglage de chaleur	Options de la buse*
<b>Bricolage</b>	Décaper de la peinture	ÉLEVÉE	Buse de concentration ou buse évasée
	Réparer un mur	FAIBLE/ ÉLEVÉE	Ouvert (aucune buse)
	Sécher de la peinture	FAIBLE/ ÉLEVÉE	Ouvert (aucune buse)
	Ramollir les adhésifs pour enlever des carreaux de sol	FAIBLE/ ÉLEVÉE	Buse évasée
	Plier du plastique, du verre plastique, du formica	FAIBLE/ ÉLEVÉE	Ouvert/buse de concentration
	Enlever du formica et du linoléum	FAIBLE/ ÉLEVÉE	Buse évasée
	Ramollir la peinture, le calfeutrant et le mastic pour faciliter l'enlèvement (utiliser l'écran thermique)	ÉLEVÉE	Buse de concentration ou buse évasée
Contracter du film plastique pour emballer ou étanchéifier	FAIBLE/ ÉLEVÉE	Buse évasée	
<b>Petites tâches (y compris des réparations)</b>	Dévisser les écrous, les boulons et les raccords rouillés	ÉLEVÉE	Ouvert/buse de concentration
	Enlever les adhésifs	FAIBLE/ ÉLEVÉE	Ouvert (aucune buse)
	Farter des skis/une planche à neige	FAIBLE/ ÉLEVÉE	Buse évasée
	Travailler avec des fibres de verre	FAIBLE/ ÉLEVÉE	Buse de concentration ou buse évasée
	Dégeler des tuyaux	FAIBLE	Défecteur courbé
	Allumer le grill d'un BBQ	ÉLEVÉE	Buse de concentration/buse pour BBQ
	Chauffer du béton avant le ragréage	FAIBLE/ ÉLEVÉE	Buse de concentration
	Dégivrer le réfrigérateur/ congélateur	FAIBLE/ ÉLEVÉE	Ouvert (aucune buse)
<b>Artisanat</b>	Fabriquer des chandelles	FAIBLE	Ouvert (aucune buse)
	Fabriquer des savons	FAIBLE	Ouvert (aucune buse)
	Emballer des cadeaux par rétraction	FAIBLE	Ouvert (aucune buse)
	Façonner la mousse	FAIBLE	Ouvert (aucune buse)
	Décorer des biscuits	FAIBLE/ ÉLEVÉE	Ouvert (aucune buse)

<b>Automobile</b>	Enlever des autocollants, des emblèmes et des décalcomanies	FAIBLE/ ÉLEVÉE	Ouvert (aucune buse)
	Débosseler	FAIBLE/ ÉLEVÉE	Ouvert (aucune buse)
	Enlever la peinture	ÉLEVÉE	Buse de concentration ou buse évasée
	Appliquer et enlever une pellicule teintée	FAIBLE/ ÉLEVÉE	Ouvert (aucune buse)
	Restaurer des pare-chocs	FAIBLE/ ÉLEVÉE	Ouvert (aucune buse)
<b>Électronique</b>	Réparer des téléphones intelligents et des tablettes	FAIBLE	Buse de concentration
	Réparer un PlayStation et un Xbox	FAIBLE	Buse de concentration

\*Il se peut que les buses ne soient pas incluses dans votre ensemble pistolet à air chaud. Voir la section Accessoires à la page 20.

**IMPORTANT : Placer immédiatement l'interrupteur à la position arrêt si le moteur à soufflerie du pistolet à air chaud ne s'allume pas quand l'interrupteur est placé à la position LOW (BAS) ou HIGH (ÉLEVÉ). L'élément chauffant peut griller s'il n'est pas refroidi au moyen de la soufflerie.**

**Remarque: Lorsqu'on arrête le pistolet soit momentanément ou pour le ranger, toujours le placer à la verticale (éviter de le mettre sur le côté). L'outil reste chaud pendant un moment avant de se refroidir; on doit donc attendre que la buse se soit refroidie avant de le ranger, et le débrancher, afin d'éviter les démarrages accidentels.**

**IMPORTANT: Toujours protéger la surface vitrée lorsqu'on travaille près des fenêtres.**



**Au cours du travail, éviter de toucher à la buse du pistolet ou à tout outil métallique exposé à l'air chaud. Ceux-ci deviennent extrêmement chauds et peuvent entraîner de graves brûlures. Porter des gants en cuir pour protéger vos mains.**

## Décapage d'une surface peinte

**Important : Lire la section comportant des renseignements généraux sur l'utilisation de l'appareil, ainsi que sur la sécurité, présentés dans le présent manuel de l'utilisateur, avant toute utilisation du pistolet à air chaud.**

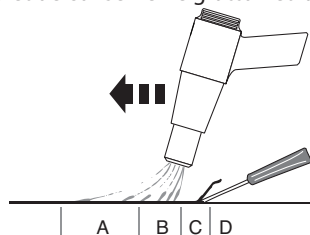
Le pistolet chauffe la surface, ramollissant ainsi la peinture. À ce stade, cette dernière peut être enlevée. Certaines peintures peuvent se ramollir sans se boursoufler, d'autres peuvent adopter une consistance de caoutchouc, et d'autres encore, exiger plus de chaleur. Lorsque l'on doit retirer plusieurs couches de peinture, il est préférable de chauffer la surface en profondeur, jusqu'au bois, afin d'accélérer le processus de décapage. Ainsi toutes les couches peuvent être retirées en une seule fois.

Une brosse métallique douce est probablement l'outil idéal pour travailler sur des surfaces complexes. Les peintures et les finis minéraux, telles les peintures et les porcelaines à base de ciment, ne se ramollissent pas sous l'effet de la chaleur; un outil à air chaud ne sera donc d'aucune utilité pour ce type de produits.

### La meilleure méthode pour enlever de la peinture

Déplacer le pistolet lentement et d'une façon régulière vers l'avant en le plaçant de façon qu'il forme un angle avec la surface et pointer la buse dans la direction du mouvement. Ce procédé permet de décapier en toute sécurité en dehors du jet d'air chaud et de conserver le grattoir et la surface décapée plus froide.

- A. Au préalable, l'air chaud chauffe la surface.
- B. La peinture se ramolli sous l'effet de l'air chaud.
- A+B. La chaleur pénètre toute la surface en profondeur.
- C. La peinture peut être enlevée aussitôt que celle-ci s'est ramollie et que le pistolet a été déplacé vers l'avant.
- D. La surface ayant été décapée doit refroidir.



**Remarque : Ne pas utiliser le pistolet sur des surfaces susceptibles de s'endommager par la chaleur, comme les panneaux, les parements et les cadres de fenêtres recouverts de vinyle.**

**Si on utilise le pistolet pour enlever la peinture de cadres de fenêtres, la chaleur émise peut faire ramollir le mastic; s'assurer de ne pas endommager ce dernier avec le grattoir utilisé; le mastic se raffermira une fois refroidi.**

**Ne pas utiliser le pistolet sur des vitres feuilletées isolantes (comme celles de marque Thermopane par exemple); les bords risquent de se dilater et de percer le calfeutrage.**

**Lorsque l'on gratte les bordures de toit, s'assurer de ne pas surchauffer les bords des bardeaux d'asphalte qui font saillie sur le support de couverture; une chaleur excessive peut faire fondre l'asphalte.**

**IMPORTANT : Le décapage d'une surface peinte à l'aide d'un pistolet à air chaud est une opération ne présentant aucun danger, pourvu que les directives présentées ci-dessus soient respectées. Il est néanmoins recommandé de conserver un contenant d'eau ou un extincteur ABC (convient à la protection contre les incendies de catégorie A, B et C) à portée de la main.**

## Nettoyage et entretien

Garder les ouvertures d'alimentation du boîtier propres et libres de toute obstruction. Utiliser une brosse douce et sèche pour nettoyer les ouvertures régulièrement. Pour nettoyer le pistolet, utiliser uniquement un linge humide. Plusieurs nettoyeurs domestiques contiennent des produits chimiques qui pourraient endommager sérieusement le boîtier du pistolet.






Nes pas utiliser d'essence, de térébenthine, de vernis-laque, de diluant pour peintures, de solution à sec (ou tout autre produit semblable) pour nettoyer le pistolet. Ne jamais laisser de liquide s'infiltrer à l'intérieur de l'outil et ne jamais immerger ce dernier, en tout ou en partie dans quelque liquide que ce soit.

## Entreposage

Conservier ce manuel avec le pistolet à air chaud. Attendre que la buse du pistolet se soit refroidie à la température de la pièce avant de l'entreposer. Au bout d'un certain temps d'utilisation, la buse devient noire à cause de la chaleur élevée produite par l'appareil. Ceci est tout à fait normal et ne nuira aucunement à la performance ou à la durée de vie de l'unité.

## Accessoires

Les accessoires suivants peuvent être fourni avec le pistolet à air chaud ou peuvent être séparément achetés en appelant 1-800-727-4023.

<p>Buse de concentration P/N 2366222</p> 	<p>Orienté un flux de chaleur concentré sur la surface de travail. Idéale pour enlever la peinture dans les coins, les fissures, les moulures, les moulures demi-rond ou chambranles difficiles.</p>	<p>Buse de protection du verre P/N 2366224</p> 	<p>Détourne la chaleur du verre ou d'autres surfaces fragiles. Idéale pour les appuis, rebords et cadres de fenêtres, ainsi que les plinthes.</p>
<p>Buse évasée P/N 2366223</p> 	<p>Orienté un long flux de chaleur étroit vers la surface de travail. Idéale pour enlever de la peinture ou du vernis de grandes surfaces plates, comme les plinthes, les portes, les escaliers, etc. La buse devrait être utilisée conjointement avec un grattoir plat.</p>	<p>Défecteur courbé P/N 2366225</p> 	<p>Disperse le flux de chaleur uniformément autour de la surface de travail complète. Idéale pour dégelier des tuyaux congelés, souder des tuyaux, plier du plastique ou contracter des tubes isolants.</p>
<p>Outil accessoire 5-en-1 P/N 2366227</p>	 <p>La lame (1) est utilisée pour gratter la peinture et étaler le composé. La pointe pour creuser (2) est utilisée pour enlever le mastic/calfeutrant et le bord courbé (3) est utilisé pour nettoyer les manchons de rouleau. Le côté plat (4) peut également servir à ouvrir les pots de peinture.</p>		

**IMPORTANT : Toujours porter des gants lorsqu'on manipule le pistolet à air chaud.**

**Pour fixer un buse au pistolet:**

1. Placer le pistolet à la verticale sur une surface plane et attendre que l'extrémité se soit refroidie.
2. Fixer l'accessories sur l'extrémité due pistolet et l'enfoncer fermement en place.

**Pour retirer un buse:**

1. Placer le pistolet à la verticale sur une surface plane et attendre que l'extrémité se soit refroidie.
2. Retirer l'accessoire fixé sur l'extrémité.

## Enregistrement du produit

Enregistrement du produit en ligne sur le site [www.wagnerspraytech.com](http://www.wagnerspraytech.com).

### Garantie Limitée de Wagner - À Conserver

Ce produit, fabriqué par Wagner Spray Tech Corporation (Wagner) est garanti contre tout défaut de matières et de fabrication pour les deux ans qui suivent la date d'achat lorsqu'il est utilisé conformément aux recommandations et directives imprimées de Wagner. La présente garantie ne vise pas les dégâts ou dommages causés par la mauvaise utilisation, les accidents, la négligence de l'utilisateur ou l'usure normale. La présente garantie ne vise pas les défauts ou dommages causés par l'entretien ou les réparations effectués par toute personne, sauf par un Centre d'entretien autorisé Wagner.

TOUTE GARANTIE IMPLICITE DE VENDABILITÉ OU DE CONVENANCE À UNE DESTINATION PARTICULIÈRE EST LIMITÉE AUX DEUX ANS QUI SUIVENT LA DATE D'ACHAT. EN TOUT ÉTAT DE CAUSE, WAGNER NE SAURAIT ÊTRE TENUE RESPONSABLE DE TOUT DOMMAGE INDIRECT OU CONSÉCUTIF, QUELLE QU'EN SOIT LA NATURE, QUE CE SOIT POUR VIOLATION DE LA PRÉSENTE GARANTIE OU POUR TOUT AUTRE MOTIF. LA PRÉSENTE GARANTIE NE S'APPLIQUE PAS AUX ACCESSOIRES.

CE PRODUIT EST CONÇU POUR USAGE DOMESTIQUE SEULEMENT. LORSQU'IL EST UTILISÉ À DES FINS COMMERCIALES OU DE LOCATION, LA PRÉSENTE GARANTIE NE S'APPLIQUE QUE POUR LES 30 JOURS QUI SUIVENT LA DATE D'ACHAT.

Si un produit démontre un défaut de matières ou de fabrication durant la période de garantie pertinente, le retourner avec la preuve d'achat, port payé, à Wagner Spray Tech, 6151 Queens Ave., Otsego, MN 55330. Wagner effectuera soit la réparation ou le remplacement du produit (au choix de Wagner) et vous le retournera, frais de poste payés.

CERTAINES PROVINCES N'AUTORISANT AUCUNE RESTRICTION SUR LA DURÉE DE TOUTE GARANTIE IMPLICITE OU AUCUNE EXCLUSION QUANT AUX DOMMAGES IMPRÉVUS OU CONSÉQUENTIELS, LES EXCLUSIONS ET LES RESTRICTIONS ÉNONCÉES CI-DESSUS POURRAIENT NE PAS S'APPLIQUER.

CETTE GARANTIE VOUS CONFÈRE DES DROITS LÉGAUX PARTICULIERS, EN SUS DES AUTRES DROITS PROPRES À CHACUNE DES PROVINCES DONT VOUS POUVEZ BÉNÉFICIER.

### Besoin d'aide?

Appelez le service technique Wagner

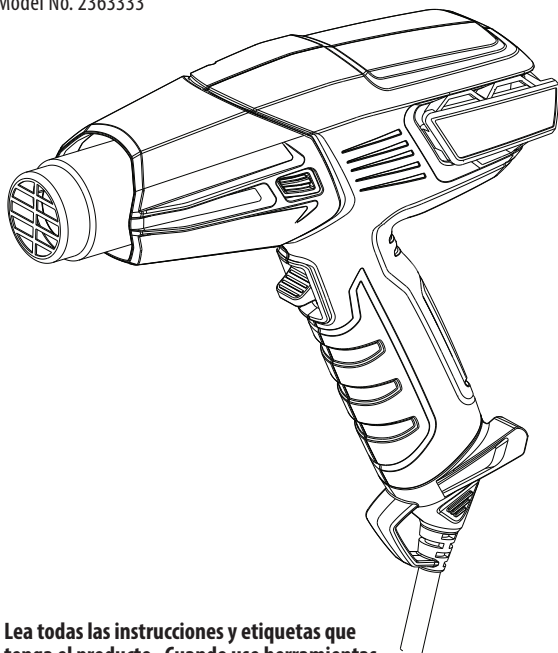
**1-800-727-4023**

Enregistrement du produit en ligne sur le site :

**[www.wagnerspraytech.com](http://www.wagnerspraytech.com)**

# WAGNER

Model No. 2363333



Lea todas las instrucciones y etiquetas que tenga el producto. Cuando use herramientas eléctricas, siga todas las precauciones para reducir el riesgo de incendio, electrocución y otras lesiones personales.

## FURNO™ 300

### PISTOLA DE CALOR DE DOBLE TEMPERATURA

### MANUAL DEL PROPIETARIO

ES



Aislamiento  
doble



## Información de seguridad importante • Lea toda la información de seguridad antes de operar el equipo. **GUARDE ESTAS INSTRUCCIONES.**

Para reducir los riesgos de incendios, explosiones, descargas eléctricas o lesiones a las personas, lea y entienda todas las instrucciones incluidas en este manual. Familiarícese con los controles y el uso adecuado del equipo.



**Indica una situación peligrosa que, de no evitarse, puede causar la muerte o lesiones graves.**



### **PELIGRO DE ENVENENAMIENTO**

Se debe tener un cuidado extremo cuando se esté raspando pintura. Las escamas, residuos y vapores de pintura pueden contener plomo, el cual es venenoso. Cualquier pintura que se haya aplicado en las casas antes de 1950 es probable que contenga plomo. Cualquier pintura fabricada antes de 1977 es probable que contenga plomo. Una vez que la pintura se ha depositado sobre la superficie, cualquier contacto que haya de la mano a la boca puede traer como resultado la ingestión de plomo. El estar expuesto a incluso niveles bajos de plomo puede causar daños irreversibles en el cerebro y el sistema nervioso. Los niños pequeños y los fetos son particularmente vulnerables al envenenamiento por plomo.

Antes de iniciar cualquier proceso para quitar pintura debe determinar si la pintura que va a quitar contiene plomo. Esto puede hacerlo el departamento de salud de su localidad o un profesional que utilice un analizador de pintura para verificar el contenido de plomo de la pintura que se va a quitar. **LA PINTURA A BASE DE PLOMO LA DEBE QUITAR SOLAMENTE UN PROFESIONAL Y NO DEBE QUITARSE USANDO UNA PISTOLA DE AIRE CALIENTE.**

### **PARA PREVENIR:**

- Saque la pieza de trabajo al exterior. Si esto no es posible, mantenga entonces el área de trabajo bien ventilada. Abra las ventanas y ponga un ventilador aspirante en una de ellas. Asegúrese de que el ventilador transporte el aire del interior hacia el exterior.
- Saque o cubra todas las alfombras, tapetes, muebles, prendas de ropa, utensilios para cocinar y conductos de aire.
- Ponga unas mantas protectoras en el área de trabajo para que se recoja cualquier pizca o escama de pintura. Póngase ropa protectora como son las camisas, overoles y cascos para trabajos extraordinarios.
- Trabaje en un sólo cuarto a la vez. Los muebles se deben sacar o poner en el centro del cuarto y cubrirse. Las áreas de trabajo deben cerrarse herméticamente, para aislarlas del resto del inmueble, sellando los arcos de las puertas con mantas protectoras.
- Los niños, las mujeres que estén embarazadas o que potencialmente puedan estarlo y las mamás que estén amamantando no deberán presentarse en el área de trabajo hasta que el trabajo esté terminado y se haya completado la limpieza.
- Póngase una mascarilla respiradora de polvos de tipo mascarilla respiradora de polvos y vapores de doble filtro que esté aprobada por la Administración de la Seguridad y Salud Ocupacionales (OSHA por sus siglas en inglés), el Instituto Nacional de la Seguridad y Salud (NIOSH por sus siglas en inglés) o la Oficina de Minas de los Estados Unidos. Estas mascarillas y filtros reemplazables se pueden conseguir fácilmente en las ferreterías principales. Asegúrese de que la mascarilla quede ajustada debidamente. Las barbas y demás pelo facial podrían evitar que las mascarillas sellaran apropiadamente. Cambie los filtros frecuentemente. Las mascarillas de papel desechables no son adecuadas.
- Sea precavido cuando tenga funcionando la pistola de aire caliente. Mantenga la pistola de aire caliente en movimiento ya que el calor excesivo generará vapores que el operario podría inhalar.
- Mantenga los alimentos y bebidas fuera del área de trabajo. Lávese las manos, los brazos y la cara y enjuáguese la boca antes de comer o beber algo. No fume ni mastique chicle ni tabaco cuando esté en el área de trabajo.





## Información de seguridad importante • Lea toda la información de seguridad antes de operar el equipo. **GUARDE ESTAS INSTRUCCIONES.**

- Limpie y recoja toda la pintura que se raspó y el polvo trapeando los pisos. Use un trapo mojado para limpiar todas las paredes, bases de ventanas y cualquier otra superficie en donde haya polvo de pintura adherido. **NO BARRA, NI LIMPIE EL POLVO EN SECO O USANDO UNA ASPIRADORA.** Use un detergente de fosfato trisódico (TSP por sus siglas en inglés) con alto contenido de fosfato, para lavar y trapear las áreas.
- Al final de cada sesión de trabajo, ponga las pizcas y residuos de pintura en una bolsa doble de plástico, ciérrela con una cinta o ataduras de retorsión y elimínela en forma apropiada.
- Quítese la ropa protectora y los zapatos de trabajo en el área de trabajo para evitar meter el polvo al resto del edificio. Lave las prendas de ropa de trabajo por separado. Limpie los zapatos frotándolos con un trapo mojado y lave después el trapo junto con las prendas de ropa de trabajo. Lávese perfectamente el cabello y el cuerpo con agua y jabón.

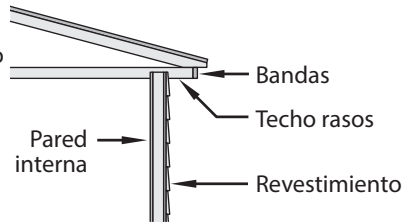


### **PELIGRO DE EXPLOSIÓN O INCENDIO**

Esta pistola de aire caliente produce temperaturas extremadamente altas (tan altas como 1100° F [593° C]). Se debe usar con precaución para prevenir que el material combustible se encienda.

#### **PARA PREVENIR:**

- Mantenga la pistola con un movimiento constante. No se pare o detenga en un solo sitio.
- Sea extremadamente precavido si el otro lado del material que se está raspando está inaccesible, como es la fachada de la casa. Áreas ocultas como detrás de las paredes, techos, pisos, tableros de plafones y otros paneles pueden contener materiales inflamables que pueden inflamarse por la pistola de aire caliente cuando se trabaja en estos lugares. La ignición de estos materiales puede no ser evidente y podría resultar en daños a la propiedad y lesiones personales. Cuando se trabaja en lugares de contención, mantenga la pistola de aire caliente que se mueve en un movimiento hacia atrás y hacia adelante. Persistente o haciendo una pausa en un solo lugar se pudo encender el panel o el material detrás de él.
- No la use cerca de superficies con grietas ni cerca de tubería de metal o donde haya destellos. El calor podría transmitirse por detrás de la superficie de trabajo y encender el material oculto. La combustión de los materiales ocultos podría no notarse rápidamente, lo que puede traer como consecuencia daños en la propiedad y lesiones.
- No use herramientas eléctricas cuando haya líquidos o gases inflamables.
- No la use cerca de materiales combustibles, como son el pasto y hojas secas y el papel, que pueden chamuscarse e incendiarse.
- La boquilla se pone muy caliente. No recueste la pistola de aire caliente sobre superficies inflamables cuando la tenga funcionando ni inmediatamente después de haberla apagado. Fije siempre la pistola sobre una superficie nivelada y plana de modo que la punta de la boquilla quede apuntando hacia arriba y alejada de la superficie de apoyo.
- No toque la boquilla hasta que la herramienta se haya enfriado.
- No use la pistola de aire caliente como secadora de pelo.
- Las herramientas y la raspadura de pintura se ponen muy calientes. Para evitar las quemaduras, use guantes de trabajo y protección para los ojos cuando raspe.
- Trate siempre a las unidades de aire caliente con el mismo respeto con el que trataría a las llamas abiertas.





## Información de seguridad importante • Lea toda la información de seguridad antes de operar el equipo. **GUARDE ESTAS INSTRUCCIONES.**

- Se puede provocar un incendio si el equipo no se usa con cuidado; por lo tanto:
  - tenga cuidado cuando use el equipo donde haya materiales combustibles;
  - no aplique en el mismo lugar por un período prolongado;
  - no lo use en presencia de una atmósfera explosiva;
  - tenga en cuenta que el calor se puede dirigir a materiales combustibles que estén fuera de la vista;
  - coloque el equipo en su soporte después del uso y permita que se enfríe antes de almacenarlo;
  - no deje el equipo sin supervisión cuando esté encendido.



### **PELIGRO ELÉCTRICO**

Podría causar daños en la propiedad, lesiones severas o la pérdida de la vida.

#### **PARA PREVENIR:**

- No desensamble la pistola de aire caliente.
- No trabaje en áreas mojadas ni exponga la pistola de aire caliente a la lluvia.
- Protéjase contra choques eléctricos previniendo el contacto corporal con las superficies conectadas a tierra como son las tuberías, radiadores, estufas, escaleras de aluminio y demás dispositivos conectados a tierra.
- No abuse del cordón eléctrico. No transporte nunca la pistola de aire caliente tomándola del cordón ni jale el cordón para desconectarla de la fuente de energía. Mantenga el cordón eléctrico lejos del calor, lubricantes y bordes filosos. Inspeccione el cordón regularmente para ver que no esté desgastado ni dañado.
- Use solamente cordones de extensión especificados para uso en exteriores. Si una extensión se daña o de algún modo resulta inapropiada para usarse, reemplácela con una nueva.
- **ADVERTENCIA** - Para reducir el riesgo de incendio o electrocución, no se exponga a la lluvia o a la humedad. No se almacene a la intemperie. Lea el manual del propietario antes de usar la unidad.
- Si el cable de alimentación está dañado, debe ser reemplazado por el fabricante, su agente de servicio o persona calificada similar para evitar un peligro.



### **PELIGROS GENERALES**

Podría causar daños en la propiedad o lesiones severas.

#### **PARA PREVENIR:**

- No apunte la herramienta de calor hacia usted, a los demás ni a los animales.
- Desconecte siempre la pistola de aire caliente de la fuente de energía si no la está usando. Guárdela en el interior, en un lugar seco y fuera del alcance de los niños.
- Mantenga el área donde trabaje bien iluminada y limpia.
- No se estire, en especial cuando esté trabajando subido en una escalera. Mantenga una pisada y equilibrio apropiados en todo momento. Cerciórese de que cualquier escalera que se esté usando esté firme, estable, sobre una superficie sólida o sobre suelo firme y parada a un ángulo de trabajo seguro.
- Evite las líneas de energía.
- Mantenga los artículos que puedan moverse asegurados y firmes mientras esté raspando.
- Use siempre unas gafas protectoras cuando esté trabajando.
- Permanezca alerta y use su sentido común cuando tenga funcionando cualquier herramienta.



## Información de seguridad importante • Lea toda la información de seguridad antes de operar el equipo. **GUARDE ESTAS INSTRUCCIONES.**

- Siempre utilice la boquilla deflector curvado (P/N 2366225) para descongelar tuberías congeladas. NUNCA utilice para descongelar tuberías congeladas ubicadas dentro de las paredes o cerca de materiales combustibles.
- Este equipo no está diseñado para que lo usen personas (lo que incluye a niños), con capacidad física, sensorial o mental reducida, o sin experiencia y conocimiento, a menos que hayan recibido supervisión o instrucciones sobre el uso del equipo por parte de una persona responsable de su seguridad.
- Se deben supervisar los niños para asegurarse de que no jueguen con el equipo.



### **¡ADVERTENCIA!**

El polvo, el descascarillado, los residuos y los vapores creados al quitar la pintura contienen químicos que el estado de California ha determinado causan defectos congénitos u otros daños al sistema reproductor. Un ejemplo de esos químicos es el plomo de las pinturas a base de plomo (no use la pistola de aire caliente para quitar pintura a base de plomo). El riesgo de exposición varía, dependiendo de la frecuencia con que realiza este tipo de trabajo. Para reducir la exposición a esos químicos: trabaje en áreas bien ventiladas y trabaje con equipo de seguridad aprobado, por ejemplo, mascarillas antipolvo diseñadas especialmente para filtrar partículas microscópicas.

**Para obtener más información, vaya a [www.P65warnings.ca.gov](http://www.P65warnings.ca.gov)**

## Información eléctrica importante

Utilice sólo un cable de extensión que acepte el enchufe del producto. Revise que el cable de extensión esté en buen estado. Al utilizar un cable de extensión, fíjese que sea del calibre apto para transmitir la corriente que consume el producto. Un cable de calibre insuficiente hará que baje el voltaje de la línea perdiendo potencia y produciendo sobrecalentamiento en la unidad. Se requiere un cable de tipo SJT. Cordón será 14 AWG mínimo para uso en interiores en general.

Esta pistola de aire caliente cuenta con un enchufe polarizado. Una de sus paletas es más ancha que la otra. Para reducir el riesgo de descarga eléctrica, este enchufe está diseñado para adaptarse al tomacorriente polarizado de sólo una manera. Si el enchufe no encaja completamente en el tomacorriente, inviértalo. Si aún así no encaja, comuníquese con un electricista calificado. No modifique el enchufe de ninguna manera. Al dar servicio, use sólo partes de servicio idénticos. Contacto WAGNER para un cable de reemplazo.

## Descripción General

La pistola de aire caliente es una herramienta eléctrica de calidad. Como cualquier herramienta eléctrica, puede ser peligrosa cuando no se usa correctamente. Lea las instrucciones siguientes con cuidado y siga todas las advertencias de seguridad. Será responsabilidad del usuario usar la pistola de aire caliente de manera apropiada. Solo debe ser usada por un adulto.

## Especificaciones

Cubierta: .....Polímeros resistentes a fuertes impactos, corrosión y altas temperaturas.

Vatíaje:..... 1200 vatios en alta, 550 vatios en baja. Funciona con corriente de 110-120 VCA.

Salidad de calor...Aproximadamente 593°C (1100°F) en alta y 399°C (750°F) en baja.

Peso:..... 0,66 kg (1,46 lb).



**Para obtener más detalles sobre diferentes proyectos y vídeos con instrucciones, visite [www.wagnerspraytech.com](http://www.wagnerspraytech.com).**

## Para usar la pistola de aire caliente



Lea siempre la información de seguridad que se incluye en este manual antes de utilizar la pistola de aire caliente.

### Descripción de componentes (Fig. 1)

- 1) Interruptor de 2 velocidades  
(0 = APAGADO, 1 = BAJA, 2 = ALTA)
- 2) Gancho para colgar
- 3) Estabilizadores de mango y cable
- 4) Aletas estabilizadoras posteriores (pedestal)
- 5) Protección contra el calor

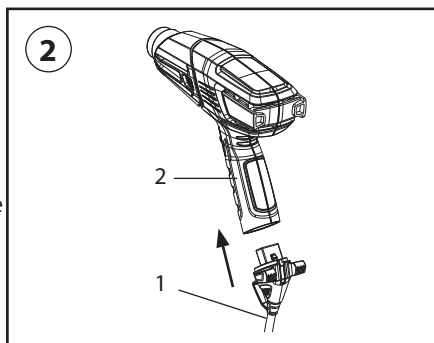


### Conexión del cable de alimentación (Fig. 2)

El cable de alimentación (Fig. 2, 1) de la pistola de calor se entrega desconectado de la pistola (Fig. 2, 2).

Para conectarlo, alinee el cable con la ranura orientada hacia adelante, junto con el tomacorriente del mango de la pistola y presiónelos hasta que oiga un clic.

Esto unirá permanentemente el cable. No se puede quitar una vez instalado.



### Operación con manos libres (Fig. 3)

La pistola de calor tiene una base integrada para aplicaciones en superficies de trabajo y en modo de enfriamiento.

### Arranque

1. Enchufe la unidad en cualquier tomacorriente de pared estándar.
2. Para encender la unidad mueva el conmutador a la posición deseada. El sonido del ventilador motorizado le indicará que la unidad está funcionando. El serpentín se iluminará.
3. Siempre desconecte la pistola de calor del tomacorriente cuando termine sus trabajos.



**Nota:** Es posible que observe humo al usar la pistola por primera vez debido al calentamiento de los aceites usados durante la fabricación. El humo debería desaparecer en menos de un minuto.

## Instrucciones de calentamiento

La pistola de calor es una de las herramientas más versátiles que puede tener. Se puede usar en una amplia variedad de proyectos, desde grandes proyectos "hágalo usted mismo" hasta pequeños trabajos de arte y artesanías.

Uso		Ajuste de calor	Opciones de punta de boquilla
<b>"Hágalo usted mismo"</b>	Decapar pintura	ALTO	Boquilla concentradora o ancha
	Reparar paredes	BAJO/ALTO	Abierta (sin boquilla)
	Secar pintura	BAJO/ALTO	Abierta (sin boquilla)
	Ablandar adhesivos para quitar baldosas	BAJO/ALTO	Boquilla ancha
	Doblar plástico, plexiglás, formica	BAJO/ALTO	Boquilla abierta / concentradora
	Quitar formica y linóleo	BAJO/ALTO	Boquilla ancha
	Ablandar pintura, calafateo y masillas para quitarlas fácilmente (use protección contra el calor)	ALTO	Boquilla concentradora o ancha
	Envolver con plástico o hacer impermeable	BAJO/ALTO	Boquilla ancha
<b>Trabajos pequeños (también reparaciones)</b>	Tuercas sueltas oxidadas, pernos y acoples.	ALTO	Boquilla abierta / concentradora
	Quitar adhesivos	BAJO/ALTO	Abierta (sin boquilla)
	Encerar esquís o tablas de snowboard	BAJO/ALTO	Boquilla ancha
	Trabajos con fibra de vidrio	BAJO/ALTO	Boquilla concentradora o ancha
	Descongelar tuberías	BAJO	Deflector curvo
	Encender una parrilla	ALTO	Boquilla concentradora/boquilla de parrilla
	Calentar hormigón antes de reparar	BAJO/ALTO	Boquilla concentradora
	Descongelar un refrigerador o congelador	BAJO/ALTO	Abierta (sin boquilla)
<b>Artes y artesanías</b>	Hacer velas	BAJO	Abierta (sin boquilla)
	Hacer jabón	BAJO	Abierta (sin boquilla)
	Envolver regalos por contracción	BAJO	Abierta (sin boquilla)
	Hacer espuma	BAJO	Abierta (sin boquilla)
	Decorar galletas	BAJO/ALTO	Abierta (sin boquilla)

<b>Automotriz</b>	Quitar pegatinas, insignias y calcomanías	BAJO/ALTO	Abierta (sin boquilla)
	Quitar abolladuras	BAJO/ALTO	Abierta (sin boquilla)
	Quitar pintura	ALTO	Boquilla concentradora o ancha
	Aplicar o quitar tintes de ventanas	BAJO/ALTO	Abierta (sin boquilla)
	Reparar parachoques	BAJO/ALTO	Abierta (sin boquilla)
<b>Aparatos electrónicos</b>	Reparar teléfonos inteligentes y tabletas	BAJO	Boquilla concentradora
	Reparar PlayStation y Xbox	BAJO	Boquilla concentradora

\*Algunas puntas de boquillas no se incluyen con su pistola de calor. Consulte la sección Accesorios en la página 32.

**IMPORTANTE:** Si el motor impelente de la pistola no enciende al colocar el conmutador en la posición LOW (bajo) o HIGH (alto), apague de inmediato el conmutador. El elemento calefactor se quemará si no recibe aire del ventilador.

**Nota:** Enderece la pistola térmica cada vez que la apague, ya sea por un corto período o para almacenarla. Evite acostarla después de haberla apagado ya que la unidad permanecerá caliente y tardará más enfriarse. Almacene la unidad sólo después de que se haya enfriado la tobera y desenchúfela antes de almacenarla para evitar que se encienda accidentalmente.

**IMPORTANTE:** Proteja siempre los vidrios cuando trabaje cerca de las ventanas.



No toque la boquilla de la pistola o cualquier herramienta metálica que se exponga al aire caliente cuando use la pistola. Estas se ponen extremadamente calientes y ocasionarán quemaduras severas. Use guantes de cuero para proteger sus manos.

## Para raspar pintura

**IMPORTANTE:** Lea las secciones de operación general y de información de seguridad de este manual del propietario antes de usar la pistola de aire caliente.

La pistola de aire caliente calienta la superficie y hace que la pintura se reblandezca, en cuyo momento fácilmente se le puede quitar raspando. Algunas de estas pinturas pueden reblandecerse aunque no se formen ampollas en ellas; algunas otras pueden volverse elásticas y otras más podrían requerir un calor más elevado.

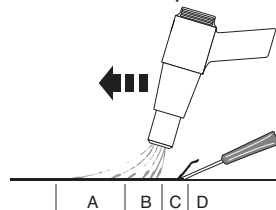
Cuando se trabaja con varias capas de pintura, el proceso de raspado se acelerará calentando la superficie completamente, hasta llegar a la madera. En seguida, todas las capas se pueden raspar a la vez.

La mejor herramienta que puede usarse en las superficies intrincadas es un cepillo de alambre suave. Las pinturas y acabados minerales, como son la pintura de cemento y la porcelana, no se reblandecen con el calor, de manera que el usar una herramienta de calentamiento no servirá para quitar la pintura.

### El mejor método para quitar la pintura

Mueva la pistola lentamente y con firmeza hacia adelante, en ángulo recto con la superficie, dirigiendo la punta de la boquilla en la dirección del movimiento. Esto le permite raspar con seguridad, fuera de la corriente de aire caliente, además de que mantiene tanto al raspador como a la superficie raspada más fríos.

- A. El aire caliente calienta previamente la superficie.
- B. La pintura se reblandece por medio de aire caliente.
- A+B. Una penetración profunda del calor sobre toda el área.
- C. La pintura se puede quitar raspando fácilmente tan pronto como se reblandezca y la pistola se mueva hacia adelante.
- D. La superficie raspada se deja enfriar.



**Nota:** No utilice la pistola térmica sobre superficies que se puedan dañar con el calor, como paneles revestidos con vinilo, chapas de paredes y marcos de ventanas.

Cuando se elimina la pintura de los marcos de ventanas, la masilla se reblandece. Trate de no arrancar la masilla con el raspador, ésta se volverá a endurecer cuando se haya enfriado.

No utilice la pistola térmica sobre láminas de vidrio aislante, como el Thermopane. La expansión de los cantos del vidrio podría romper el sello de éstos.

Cuando raspe impostas, no sobrecaliente los bordes de los tejamaniles de asfalto que sobresalgan por encima del revestimiento exterior. Demasiado calor derretirá el asfalto.

**IMPORTANTE:** Quitar la pintura con una pistola de aire caliente será un proceso seguro si se siguen las directrices anteriores, pero mantenga siempre tanto un recipiente con agua como un extintor de incendios de clasificación ABC (adecuada contra incendios tipo A, B y C) al alcance.

## Limpieza y mantenimiento

Mantenga la toma de aire de la cubierta limpia y libre de obstrucciones. Use un cepillo suave y seco para limpiar regularmente las tomas. Use solamente un trapo húmedo para limpiar la pistola de aire caliente. Muchos detergentes domésticos tienen sustancias químicas que podrían causar serios daños a la cubierta.

No utilice gasolina, trementina, lacas o disolventes de pintura, sustancias químicas para la limpieza de ropa o productos similares para limpiar la pistola térmica. Jamás permita que penetren líquidos en la herramienta ni sumerja parte alguna de esta en algún líquido.

## Almacenamiento



Mantenga este manual junto a la pistola de aire caliente.

Deje que la boquilla de la pistola de aire se enfríe a la temperatura ambiente antes de dejarla almacenada.

La boquilla se oscurecerá con el tiempo a causa del elevado calor. Esto es normal y no afectará el funcionamiento ni la duración de la unidad.

## Accesorios

Los accesorios siguientes pueden venir con el pistola de aire caliente o pueden ser comprados separadamente llamando al 1-800-727-4023.

<p>Boquilla concentradora P/N 2366222</p> 	<p>Dirige un flujo concentrado de calor a la superficie de trabajo. Ideal para quitar pintura en lugares de difícil acceso, grietas, molduras o arquitrabes.</p>	<p>Protector de vidrio P/N 2366224</p> 	<p>Protege el vidrio u otras superficies frágiles contra el calor. Ideal para soleras de ventanas, marcos y rodapiés.</p>
<p>Flare P/N 2366223</p> 	<p>Dirige un flujo de calor angosto y concentrado a la superficie de trabajo. Ideal para quitar pintura o barniz desde superficies grandes y planas, tales como rodapiés, puertas, escaleras, etc. Se recomienda su uso en conjunto con una espátula.</p>	<p>Deflector curvo P/N 2366225</p> 	<p>Dispersa el calor de forma pareja en toda la superficie de trabajo. Ideal para descongelar tuberías congeladas, soldaduras de tuberías, para doblar plásticos o termocontraer cableados eléctricos aislados.</p>
<p>Herramienta de raspado 5 en 1 P/N 2366227</p>			<p>La hoja (1) se usa para raspar pintura y esparcir compuestos. La parte (2) tiene una gubia que se usa para quitar masillas o calafateos; y la parte curva (3) se usa para limpiar cubiertas de rodillos. El lado plano (4) también puede se puede usar para abrir tarros de pintura.</p>



---

**IMPORTANTE: Use siempre guantes cuando utilice la pistola térmica**

**Para colocar una boquilla en la pistola:**

1. Enderece la pistola y colóquela sobre una superficie horizontal hasta que se enfríe la punta.
2. Coloque la pieza en la punta de la pistola y empújela firmemente con la mano hasta que calce en posición.

**Para retirar una boquilla:**

1. Enderece la pistola y colóquela sobre una superficie horizontal hasta que se enfríe la punta.
2. Tire de la pieza para retirarla.

## Registro del producto

Regístrelo del producto en línea en [www.wagnerspraytech.com](http://www.wagnerspraytech.com).

### Garantía Limitada de Wagner - Conservese en sus archivos

Wagner Spray Tech Corporation (Wagner), fabricante del producto, garantiza al comprador original que el producto no posee defectos materiales ni de mano de obra, por dos años después de la fecha de compra, si se usa de acuerdo con las recomendaciones e instrucciones impresas de Wagner. Esta garantía no cubre ningún defecto o daño causado por servicios o reparaciones realizadas por personal no autorizado, desgaste normal, falta de mantenimiento o accidentes.

CUALQUIER GARANTIA IMPLICITA DE COMERCIALIZACION O IDONEIDAD PARA CUALQUIER PROPOSITO EN PARTICULAR QUEDA LIMITADA A DOS AÑOS A PARTIR DE LA FECHA DE COMPRA. WAGNER NO SERA RESPONSABLE EN NINGUN CASO POR DAÑOS INCIDENTALES O CONSECUENCIALES DE CUALQUIER TIPO, YA SEAN POR INCUMPLIMIENTO DE LA GARANTIA O POR CUALQUIER OTRA RAZON. ESTA GARANTIA NO SE EXTIENDE A LOS ACCESORIOS.

ESTE PRODUCTO HA SIDO DISEÑADO EXCLUSIVAMENTE PARA USOS DOMESTICOS. SI SE USA CON MOTIVOS COMERCIALES O PARA ALQUILER, LA GARANTIA TENDRA UNA DURACION DE 30 DIAS A PARTIR DE LA FECHA DE COMPRA.

Si cualquier producto presenta defectos de materiales o de mano de obra durante el período de garantía, devuélvalo junto con la factura de compra y transporte prepagado a Wagner Spray Tech, 6151 Queens Ave., Otsego, MN 55330. Wagner reparará o reemplazará el producto (a la opción de Wagner) y lo regresará a usted mediante flete prepagado.

ALGUNOS ESTADOS NO PERMITEN LIMITACIONES EN LA DURACION DE UNA GARANTIA IMPLICITA O EN LA EXCLUSION DE GARANTIAS INCIDENTALES O CONSECUENCIALES, ASI QUE LAS LIMITACIONES Y EXCLUSIONES INDICADAS ANTERIORMENTE PUEDEN NO APLICAR A USTED.

ESTA GARANTIA LE OTORGA A USTED DERECHOS LEGALES ESPECIFICOS. USTED PUEDE TENER OTROS DERECHOS, LOS CUALES VARIAN DE UN ESTADO A OTRO.

**¿Necesita ayuda?**

Llame Wagner Technical Service al:

**1-800-727-4023**

Regístrelo del producto en línea en:

**[www.wagnerspraytech.com](http://www.wagnerspraytech.com)**

## Notes • Remarques • Notas

**FURNO™ 300**