



Earlex[®]

SPRAYPORT[®]

The professional spraying series



HV6002 / 6003

OPERATING INSTRUCTION MANUAL

Thank you for purchasing the SprayPort[®] from Earlex Professional 6000 Series. This highly versatile HVLP System (high volume of air, low pressure painting) can be used for a wide variety of applications.

BEFORE USE – PLEASE READ THE MANUAL AND SAFETY INSTRUCTIONS.

Please retain for future reference.

To register your product visit www.sprayport.com



WARNING!

**IMPORTANT: 'WARNING !' alerts user to a specific hazard
Other points are advisory which should be followed for safe use**

**ALWAYS COMPLY WITH THE SAFETY INSTRUCTIONS SUPPLIED WITH THIS PRODUCT
AND THE MATERIAL BEING USED**

Only use the unit as described in this manual. Additional product specific warnings may be found throughout the body of this manual where applicable.



FIRE AND EXPLOSION HAZARD

WARNING! The substances used with this Spray Gun (paints, coatings, solvents, etc.) may contain dangerous, harmful, explosive or corrosive materials.

WARNING! – Use extreme caution when spraying any materials with a flash point lower than 100°F (38°C). Check the technical specifications on the paint or coating container before spraying.

- The Spray Gun must only be used with paints, coatings and solvents that have a flash point suitable for spraying. Consult the paint, coating or solvent manufacturer's instructions and Safety Data Sheets.
- NEVER spray near a open flame including an appliance pilot flame.
- NEVER smoke while spraying.
- DO NOT operate light switches or run engines or similar spark producing products in the spray area if spraying solvents.
- DO NOT use any coatings or material containing any Halogenated Hydrocarbon constituent such as bleach and chlorine.
- Always disconnect unit from mains supply when filling the paint or coating container.
- Keep the turbine in a well - ventilated area.
- Keep the turbine as far removed from the spray area as the air hose will allow especially when using solvent based coatings.



EQUIPMENT MISUSE HAZARD

WARNING! The use of any accessory or attachment, other than those recommended in this instruction manual, may present a risk of personal injury.

WARNING! Use the Spray Gun for the job it was designed for only. Misuse of the Spray Gun will invalidate the guarantee.

WARNING! If the cordset is damaged, it must be replaced with the correct Earlex part to avoid a hazard.

WARNING! To reduce the risk of electric shock do not expose to water. Store indoors.

- NEVER under any circumstances aim the Spray Gun at another person or animal. In the event of an injury seek expert medical advice immediately.
- NEVER carry the turbine while spraying.
- Always ensure there is adequate ventilation when spraying.
- After each use, thoroughly clean the Spray Gun and grease the Fluid Needle.
- This appliance can be used by persons aged from 14 years and above and persons with reduced physical, sensory or mental capabilities or lack of experience and knowledge if they have been given supervision or instruction concerning use of the appliance in a safe way and understand the hazards involved.
- Use only genuine manufacturer replacement parts.
- Always disconnect the unit from the mains supply before cleaning.



PERSONAL PROTECTIVE EQUIPMENT

WARNING! Noise levels exceed 85dB. Therefore suitable ear protection must be worn.

- Always wear a suitable protective mask when spraying. The use of gloves, goggles and overalls is also recommended.



HOT SURFACE

- **CAUTION:** Outlet of turbine and air hose may become hot during use. Please allow to cool before removing air hose.

INTRODUCTION

This powerful spray system applies coatings faster than brushing or rolling while maintaining a smooth and accurate finish.

The SprayPort® series is designed for the professional decorator and finisher. The latest technology and materials combine to deliver a consistently high performance.

The SprayPort® series is simple to set up using quick-connect fittings.

The paint spraying system consists of a motor-operated turbine, which provides the spray gun with atomization air for a precise finish.

The powerful steel turbine incorporates open cell air filters for a continuous and clean air flow.

Air is fed to the gun through the lightweight HyperFlex™ hose.

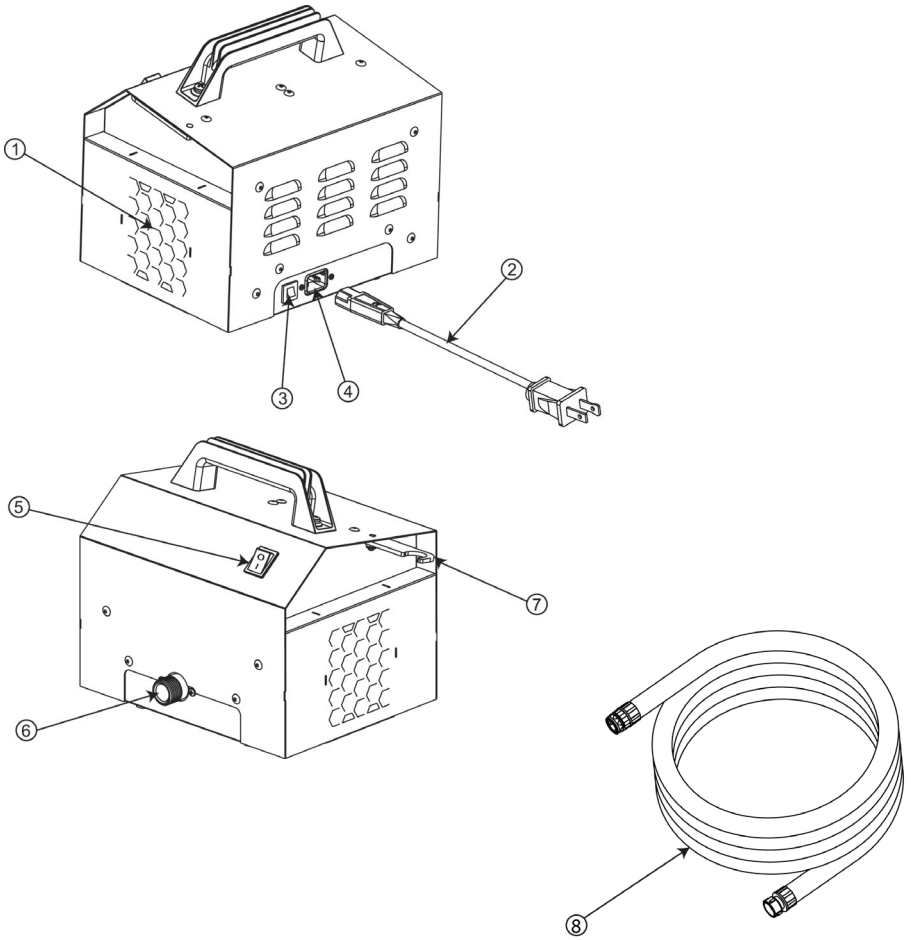
The HV6000 series sprays a wide range of paint with or without dilution.

To achieve the desired results only use good quality paint or coating. Keep in mind that low temperatures make paint or coating thicker. Therefore use of the Spray Gun is not recommended below a minimum temperature of 60°F.

TECHNICAL SPECIFICATION

	6002	6003
Turbine	2 stage	3 stage
Motor type	Tangential	Tangential
Voltage	120V	120V
Frequency	60Hz	60Hz
Current	9.6A	10A
Air filters	Dual removable filters	Dual removable filters
Pressure rating	psi 4.5 (0.31 bar)	psi 5.5 (0.38 bar)
Air flow	90 CFM (2550 l/min)	90 CFM (2550 l/min)
Air Hose	25ft (7.6m) vulcanised polymer	25ft (7.6m) vulcanised polymer

SPRAYPORT TURBINE UNIT



PARTS LIST

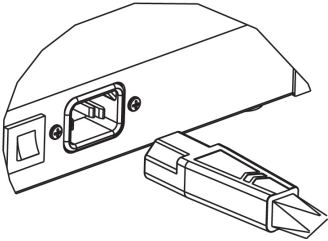
No.	Description	Part No.
1.	Air Filter	0PACC62
2.	Cordset	US; 0PACC130, IND; 0N0322
3.	Circuit Breaker	US - 15 AMP; 0N0080, IND - 8 AMP; 0N0078
4.	Power Inlet Connector	n/a
5.	Power Switch	0L1843
6.	Air Outlet - Hose Attachment	n/a
7.	Gun Dock	0PACC82
8.	25ft (7.6m) Air Hose	0PACC121

PREPARATION

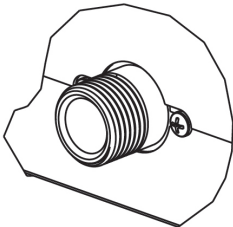
- Unpack turbine and check all parts are present (see parts list) and undamaged.
- Prepare surfaces to be sprayed ensuring they are clean, dry and smooth.
- Ensure there is adequate ventilation.
- Mask off all areas not intended for spraying.

OPERATION

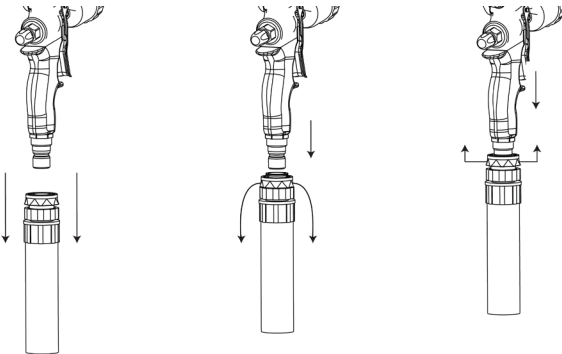
- Prepare the spray gun for operation (refer to Spray Gun Instruction Manual supplied separately).
- Plug cordset into turbine unit.



- Attach the nut at the end of the air hose to the air outlet on the turbine ensuring it is screwed on fully. The connection will be rigid when fitted correctly.



- Join the quick connect hose attachment to the air inlet on the spray gun. Tip: If connection is tight, loosen the quick connect fitting on the hose by unscrewing a little before connecting to the gun, then retighten.



- Connect cordset to a grounded outlet.
- Turn the power on 'I' (5).
- Familiarize yourself with spraying technique (for detailed instruction on how to operate spray gun refer to Spray Gun Operating Instruction Manual supplied separately) using waste cardboard.
- When you are happy with your set-up, commence spraying.

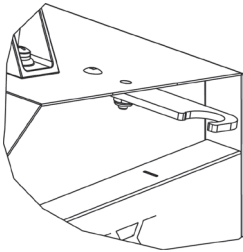
NOTE: Check the turbine unit, filters and the gun are clean and dry before operating.

NEVER leave the turbine unsupervised while plugged in.

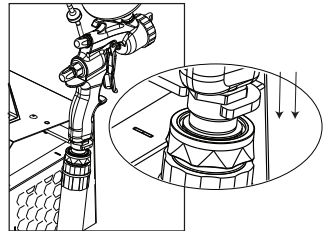
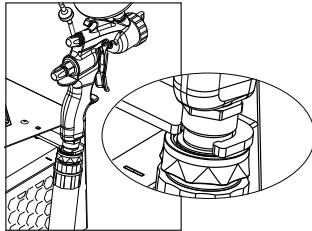
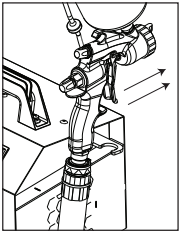
SHUTTING DOWN

If leaving your sprayer for less than 1 hour:

- Turn the power off 'O' (5).
- Extend the gun storage dock.



- Dock the spray gun in the Gun Storage Dock (7).



If leaving your sprayer for more than 1 hour:

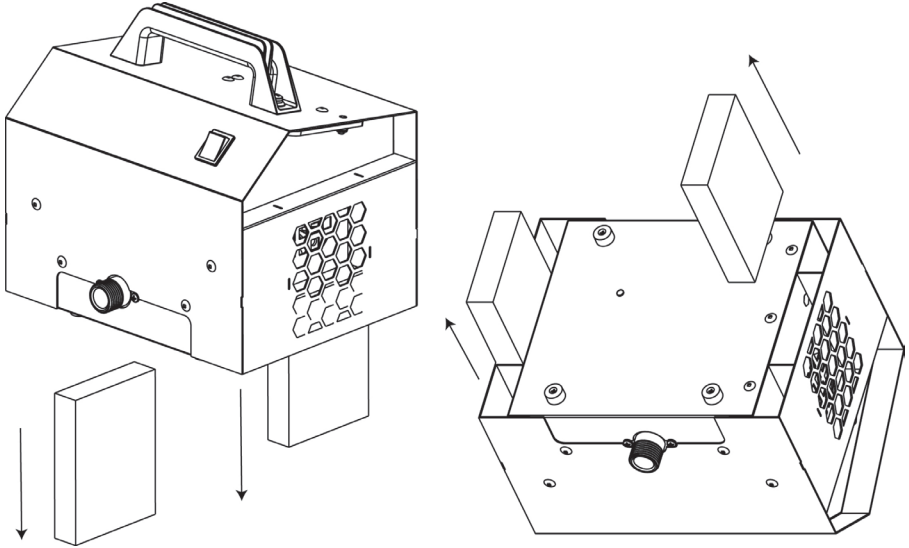
- Turn the power off 'O' (5).
- Disconnect the air hose from the gun.
- Clean the gun as detailed in the Spray Gun Operating Instruction Manual.
- Allow the turbine unit to cool before disconnecting the air hose.

MAINTENANCE

Some simple maintenance is required to ensure your SprayPort® continues to perform effectively:

IMPORTANT: Always unplug from the mains ahead of any maintenance.

- Clean/ replace filters.
 - Filters will become dirty during use. To remove see diagram below. Clean filters in warm soapy water.



Check the condition of filter carefully and replace if necessary.

WARNING! Ensure filter is completely dry before installing.

- Cleaning the hose:
 - Keep the outer surface clean by wiping with a damp cloth. Do not submerge into or flush through with water or any chemical. Regularly check for cracks, leaks and holes. Replace if necessary.
- Cleaning the unit:
 - Keep the outer surface clean by wiping with a damp cloth. Do not submerge into water or any chemical.
- This unit contains no servicable electrical parts. Do not attempt to service yourself.
- Store indoors with the cord wrapped around the turbine handle.

IMPORTANT:

It is important to regularly check and clean the filters, hose and turbine, paying particular attention to the air inlets and vents. Failure to do so risks damage to the motor or premature failure.

Servicing and repairs must be carried out by authorized service centers only – contact Head Office for details.

TROUBLESHOOTING

PROBLEM	CAUSE	ACTION REQUIRED
Little or no spray	Air inlet blocked	Check the condition of the Air Filters and clean or replace Check air inlets, air vents and air hose for blockages
Turbine has no power	No power at supply	Check the power supply
	Cable fuse has blown	Where applicable check fuse and replace if necessary
	Circuit Breaker has tripped	Reset the Circuit Breaker
	Incorrect or damaged power cord set used	Use correct power cord set. Replace if necessary
	Worn turbine brushes	Replace brushes at an authorized service center

GROUNDING INSTRUCTIONS

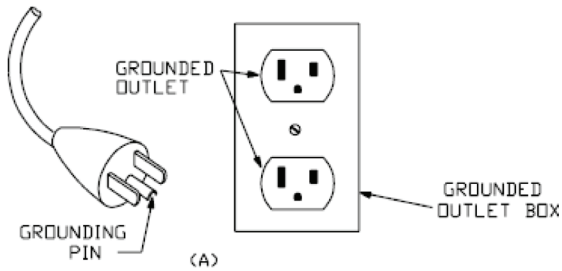
WARNING! THIS APPLIANCE MUST BE GROUNDED

If you are using an extension lead it must be rated a minimum of 13 Amps and fully unwound. Do not operate with a lead rated less than 13 Amps as this will cause premature failure of the product which is not covered by the warranty.

In the event of an electrical short circuit, grounding reduces the risk of electric shock by providing an escape wire for the electric current. This product is equipped with a cord having a grounding wire with an appropriate grounding plug. The plug must be plugged into an outlet that is properly installed and grounded in accordance with all local codes and ordinances. If the cordset is damaged, it must be replaced using a genuine Earlex part to avoid a hazard.

Check with a qualified electrician or serviceman when the grounding instructions are not completely understood, or when in doubt as to whether the product is properly grounded. Do not modify the plug provided; if it does not fit the outlet, have the proper outlet installed by a qualified electrician.

This product is for use on a nominal 120-V circuit and has a grounding plug similar to the plug illustrated below. Only connect the product to an outlet having the same configuration as the plug. Do not use an adapter with this product.



Extension Cords

Use only a 3-wire extension cord SJT that has a 3-blade grounding plug, and a 3-slot receptacle that accepts the plug on the product. Make sure your extension cord is not damaged. When using an extension cord, be sure to use one heavy enough to carry the current your product draws.

For lengths less than 25 ft, 16 AWG extension cords shall be used. For lengths greater than, 25ft up to a maximum length of 50ft, 14 AWG shall be used. An undersized cord results in a drop in line voltage and loss of power and overheating.

Notes

Notes

PLEASE NOTE: We have done all we can to ensure that, when used correctly and in accordance with these instructions, the unit has a long and fault-free life. We accept no responsibility for damage caused by the use of incorrect or unsuitable substances, paints or liquids which have not been thinned correctly or which are not suitable for the surfaces to which they are applied, health hazards arising from a lack of ventilation when working in confined spaces or equipment which is faulty due to inadequate cleaning of the components after use. If in doubt, test a small inconspicuous area first. Always read the manufacturer's instructions before use. Neither our warranty nor the above statement affects your statutory rights.

Turbine Design Registration

ECD 002307868-0003
CN 201330262602.0
US applied for

Spray Gun Design Registration

ECD 002307868-0001
ECD 002307868-0002
CN 201330263092.9
CN 201330262777.1
US applied for



All rights reserved © 2015

EARLEX WILL ACCEPT NO RESPONSIBILITY FOR THE USE OF THIS PRODUCT IF USED FOR ANY PURPOSES OTHER THAN THOSE DETAILED HEREIN.

24 Month Warranty

Earlex issues a 24 month Warranty to the purchaser effective from the date of purchase against defects in materials or workmanship. This warranty does not cover abuse, accidental damage, misuse, normal wear parts, motor brush replacement or spray gun maintenance & clean up. Warranty is void if repairs are made or attempted by unauthorised persons. At our option, Earlex will repair or replace defective parts without charge provided the purchaser return products prepaid to the nearest authorised service centre or to the factory. Factory returns must first receive a Return Material Authorisation.

In other countries please call the company where you originally purchased the product. Earlex will not be held liable if equipment is not used solely for the purpose it was designed. Warranty will become void through improper installation or operation. Any modifications to the equipment or deviations from the recommended procedures, accidental damage or any related action that impairs or abuses intended use and care of Earlex equipment will also void warranty and liability.

In the event of rentals, this warranty period is restricted to 6 months.



Wagner Spray Tech Corporation

1770 Fernbrook Lane
Plymouth, MN 55447

Helpline telephone no: 888-783-2612

Fax no: 763-553-7154

www.earlex.com