



Earlex[®]
PRO-8[™]
SPRAY GUN



OPERATING INSTRUCTION MANUAL

Thank you for purchasing the Earlex Pro-8 Spray Gun.

BEFORE USE – PLEASE READ THE MANUAL AND SAFETY INSTRUCTIONS.

Please retain for future reference.



WARNING!

**IMPORTANT: 'WARNING !' alerts user to a specific hazard
Other points are advisory which should be followed for safe use**

**ALWAYS COMPLY WITH THE SAFETY INSTRUCTIONS SUPPLIED WITH THIS PRODUCT
AND THE MATERIAL BEING USED**

Only use the unit as described in this manual. Additional product specific warnings may be found throughout the body of this manual where applicable.



FIRE AND EXPLOSION HAZARD

WARNING! The substances used with this Spray Gun (paints, coatings, solvents, etc.) may contain dangerous, harmful, explosive or corrosive materials.

WARNING! – Use extreme caution when spraying any materials with a flash point lower than 100°F (38°C). Check the technical specifications on the paint or coating container before spraying.

- The Spray Gun must only be used with paints, coatings and solvents that have a flash point suitable for spraying. Consult the paint, coating or solvent manufacturer's instructions and Safety Data Sheets.
- NEVER spray near an open flame including an appliance pilot flame.
- NEVER smoke while spraying.
- DO NOT operate light switches or run engines or similar spark producing products in the spray area if spraying solvents.
- DO NOT use any coatings or material containing any Halogenated Hydrocarbon constituent such as bleach and chlorine.
- Always disconnect unit from mains supply when filling the paint or coating container.
- Keep the turbine in a well - ventilated area.
- Keep the turbine as far removed from the spray area as the air hose will allow especially when using solvent based coatings.



EQUIPMENT MISUSE HAZARD

WARNING! The use of any accessory or attachment, other than those recommended in this instruction manual, may present a risk of personal injury.

WARNING! Use the Spray Gun only for the job it was designed for. Misuse of the Spray Gun will invalidate the guarantee.

WARNING! If the cordset is damaged, it must be replaced with the correct Earlex part to avoid a hazard.

WARNING! To reduce the risk of electric shock do not expose to water. Store indoors.

- NEVER under any circumstances aim the Spray Gun at another person or animal. In the event of an injury seek expert medical advice immediately.
- NEVER carry the turbine while spraying.
- Always ensure there is adequate ventilation when spraying.
- After each use, thoroughly clean the Spray Gun and grease the Fluid Needle.
- This appliance can be used by persons aged from 14 years and above and persons with reduced physical, sensory or mental capabilities or lack of experience and knowledge if they have been given supervision or instruction concerning use of the appliance in a safe way and understand the hazards involved.
- Use only genuine manufacturer replacement parts.
- Always disconnect the unit from the power supply before cleaning.
- If using with 3rd party turbine - refer to manufacturers instructions.



PERSONAL PROTECTIVE EQUIPMENT

WARNING! Noise levels exceed 85dB. Therefore suitable ear protection must be worn.

- Always wear a suitable protective mask when spraying. The use of gloves, goggles and overalls is also recommended.



HOT SURFACE

- **CAUTION:** Outlet of turbine and air hose may become hot during use. Please allow to cool before removing air hose.

INTRODUCTION

This powerful spray system applies coatings faster than brushing or rolling while maintaining a smooth and accurate finish.

The SprayPort® series is designed for the professional decorator and finisher. The latest technology and materials combine to deliver a consistently high performance.

The SprayPort® series is simple to set up using quick-connect fittings and sprays a wide range of paint with or without dilution.

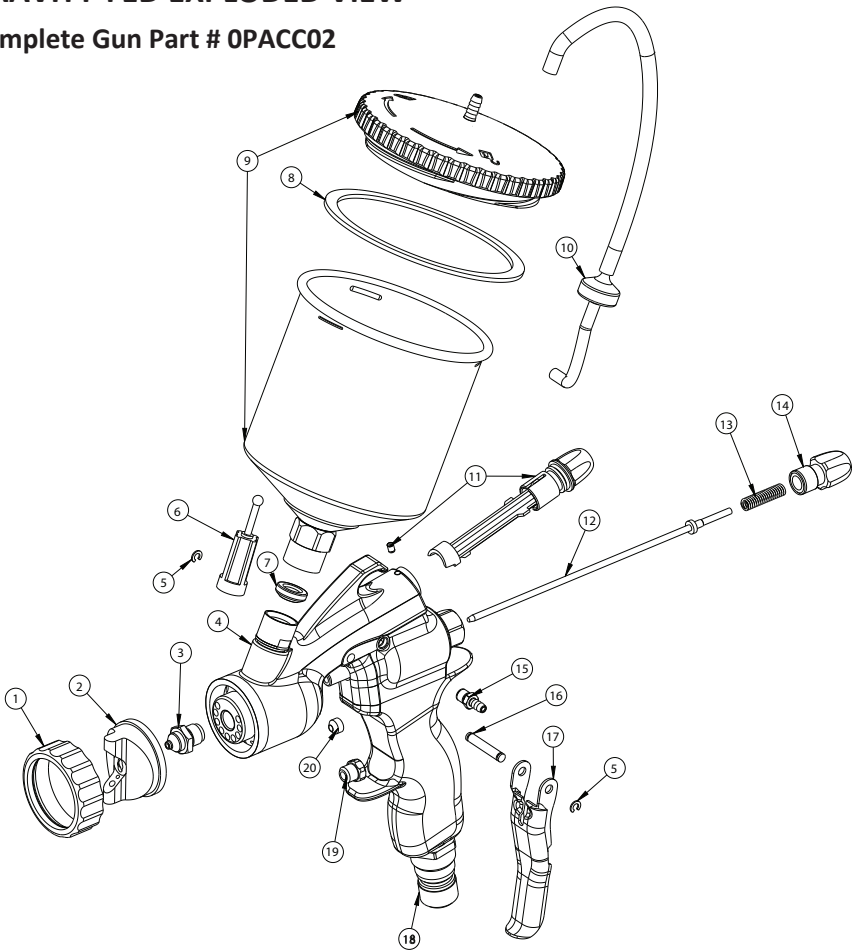
To achieve the desired results only use good quality paint or coating. Keep in mind that low temperatures make paint coating thicker. Therefore use of the Spray Gun is not recommended below a minimum temperature of 55° F (13°C).

The Earlex Pro-8™ is a streamlined, non-bleed die-cast aluminium gun. It has been engineered to provide a superior level of atomization to ensure a flawless finish. The Pro-8™ gun has been ergonomically designed for user comfort and lightweight control. It is reliable and offers easy breakdown for maintenance and simple clean up. Available in both Gravity-fed and Pressure-fed options.



GRAVITY-FED EXPLODED VIEW

Complete Gun Part # 0PACC02



PARTS LIST

No.	Description	Part No	No.	Description	Part No
1.	Locking ring and washer	0PACC39	11.	Air control assy	0PACC98
2.	Air cap assy 1.3-2.0	0PACC32	12.	Needle 1.3mm	-----
3.	Fluid tip 1.3mm (includes item 12)	0PACC13NT	13.	Needle spring	0P0041
4.	Gun chassis gravity	-----	14.	Fluid adjuster	0PACC101
5.	Retaining clip (2)	-----	15.	Air tube fitting	0P0048
6.	Cup filter	0PACC71	16.	Trigger pivot	-----
7.	Cup seal	0P0060	17.	Trigger (includes items 5 and 16)	0529526
8.	Cup lid gasket (3 pack)	0PACC66	18.	Quick connect fitting	0PACC99
9.	600ml cup and lid	0PACC41	19.	Gland nut	0P0026
10.	Check valve & tubes	0PACC69	20.	Gland seal (3 pack)	0PACC72

THINNING

Thinning is very important when spraying. Most paints are supplied ready for brush application and may need to be thinned (diluted) for spraying purposes. Follow the manufacturers guide for thinning in conjunction with a spray gun. If in doubt contact the manufacturers of the paint. Paint is “thinned” by adding the substance which the paint is based upon. If a water-based paint then water is added, if oil-based then mineral spirits.

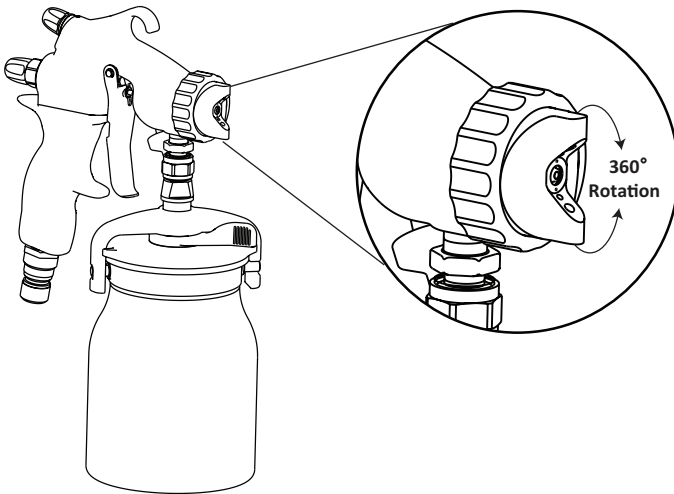
Some paints, wood preservatives and other sprayable materials may contain particles that have grainy material. Please ensure that when filling the paint container of the spray gun that the paint is filtered. This will ensure that no large particles that can cause blockages enter the paint container, providing you with trouble-free spraying. We recommend that a face mask, gloves and goggles are worn at all times when spraying.

VERY IMPORTANT: When spraying for the first time, we recommend you run the motor for 1 to 2 minutes before applying the product. Do not forget that the Fluid Control Adjuster (20/24) controls the volume of paint sprayed, for instance the more the Fluid Control Adjuster is tightened the less paint is sprayed..

SPRAY PATTERN

360° SPRAY PATTERN ROTATION

The 360° rotating air cap at the front of the gun allows complete flexibility in any fan angle from horizontal to vertical and everything in between. This is especially useful when working in confined spaces or spraying on odd shaped substrates.

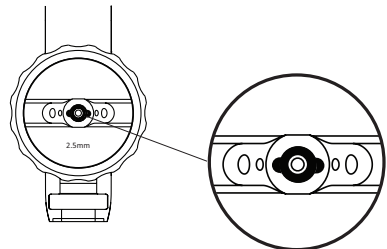


WIDE SPRAY AIR CAP

Exclusive to SprayPort® is the first ever Wide Spray air cap accessory which is supplied with some SprayPort® models. This innovative design sprays up to a 30% wider pattern*, giving you increased productivity.

*Compared to the 1.5 - 2.5mm air cap

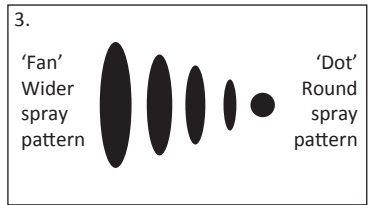
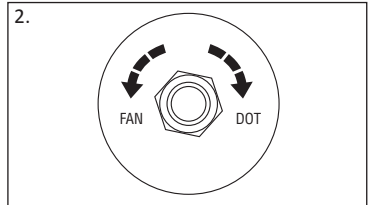
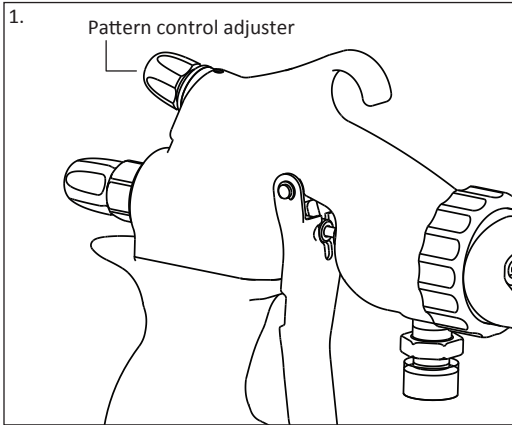
Note: Not recommended on HV6002 Series.



SPRAY GUN ADJUSTMENTS

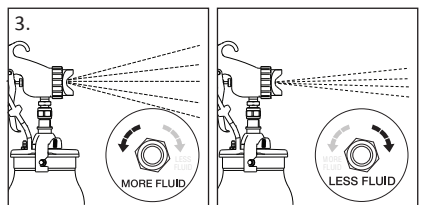
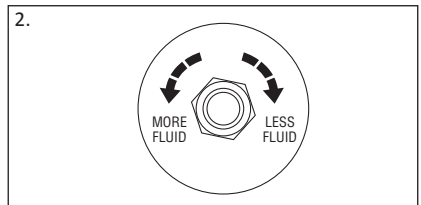
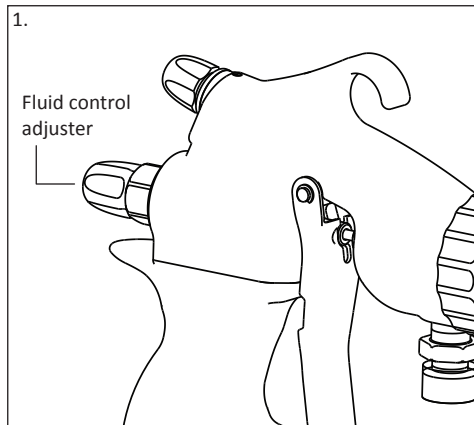
Pattern Control Adjuster

The Pattern Control Adjuster on the Pro-8 spray gun is conveniently placed at the rear of the gun to allow you to easily change the spray pattern without needing to adjust the air cap. The pattern control can be set to either a round pattern for intricate detail work or to an elliptical fan shape which widens as you adjust the pattern adjuster, ideal for different size surfaces.



Fluid Control Adjuster

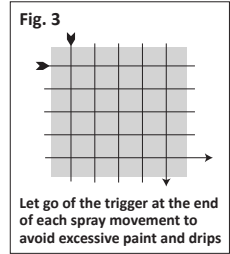
The fluid adjuster is designed with a control dial to provide complete control over the volume of coating sprayed. Whether working on a small or large surface area, this feature allows you to adjust the volume of spray to suit the size of the job.



SPRAYING TECHNIQUE

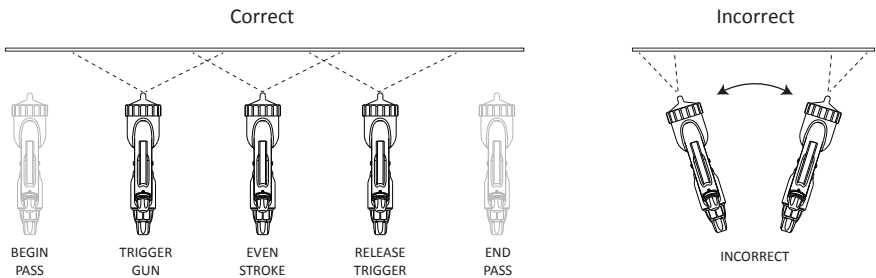
The most commonly used technique for painting a wall is the ‘cross-hatch’ technique, i.e. you apply the product in horizontal lines and then cross over these lines by applying the product in vertical lines (Fig.3):

1. Adjust the Air Cap to obtain a Vertical spray, then pull the Trigger and move your arm across to the right.
2. When you get to the end of the line, release the Trigger for a moment and then apply the material in the opposite direction just beneath the line you have sprayed.
3. Proceed in this manner applying the material in Horizontal lines overlapping your previous coat by 1/3 to 1/2.
4. Next, adjust the Air Cap to obtain a Horizontal spray and apply the product in vertical lines over the lines you have just sprayed.



Release the trigger to avoid overspraying which will cause the material to run. Cross over the horizontal lines (sprayed with a Vertical pattern) with vertical lines (sprayed with a Horizontal pattern). Only the forearm should move and not the wrist.

The spray gun should always be perpendicular to and approx. 1-8 inches (25-200 mm) from the spray surface. Spray parallel to the surface using controlled smooth passes at an even speed.



SELECTING NEEDLES, FLUID TIPS AND AIR CAPS

When pairing the Pro-8™ Spray Gun needles and aircaps together it is important to look at the markings on both the needle and the aircap. The aircap has the actual size laser marked onto the front of the aircap itself. The needle has a size laser marked onto the shaft.

Below, we have put together a chart showing what the various Aircap sizes we offer for the Pro-8 Spray Gun and the corresponding needle identification numbers which they are paired with.

AIR CAP AND NEEDLE COMBINATION

We have 7 Needle and Fluid Tip sizes available from 0.8mm to 2.5mm. Every Pro-8™ Needle and Fluid Tip is clearly marked with their size to make selection easier.

When selecting your Needle you must have the corresponding Fluid Tip (i.e. 1.8mm Needle to only be used with the 1.8mm Fluid Tip).

However, when it comes to selecting the Air Cap, you can use them with a range of Needle / Fluid Tip sizes to gain different spray effects.

The table below shows which Air Caps are compatible with Needle / Fluid Tips.

Air Cap	Needle Size	0.8mm	1.0mm	1.3mm	1.5mm	1.8mm	2.0mm	2.5mm
OPACC30	0.8-1.0mm	Light → Heavy						
OPACC31	1.0-1.5mm		Light → Heavy					
OPACC32	1.3-2.0mm			Light → Heavy				
OPACC33	1.5-2.5mm				Light → Heavy			Heavy
OPACC34	2.5mm (wide)							Heavy






Light = Light Spray
Heavy = Heavy Spray

AIR CAP RANGE

The Pro-8™ Spray Gun is supplied as standard with the 1.3mm - 2mm. This Air Cap is compatible with the 1.3mm, 1.5mm 1.8mm & 2mm Needle and Fluid Tips.

There are 5 Air Cap sizes available, each suitable for a different range of Needle and Fluid Tips. To make selection easy, each Air Cap is marked with a suitable Needle / Fluid Tip size range.

Air Cap OPACC34 (2.5mm) is the Wide Spray Air Cap, designed to produce a 30% wider spray when used with the 2.5mm Needle / Fluid Tip.

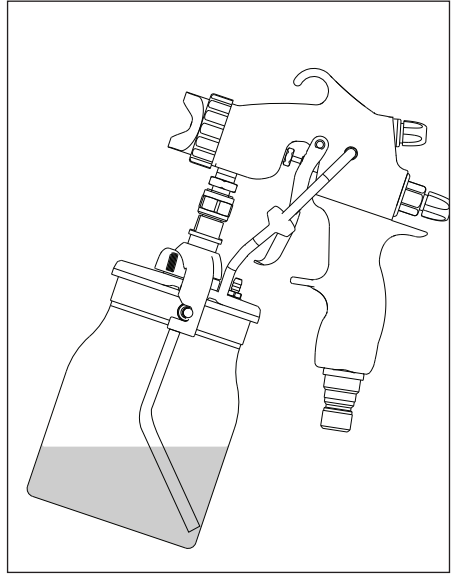
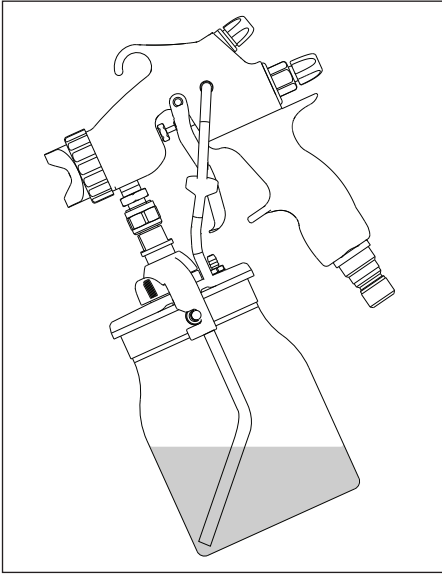
<p>OPACC 30 Air cap size: 0.8mm - 1.0mm</p>  <p>0.8mm - 1.0mm</p>	<p>OPACC 31 Air cap size: 1.0mm - 1.5mm</p>  <p>1.0mm - 1.5mm</p>	<p>OPACC 32 Air cap size: 1.3mm - 2.0mm</p>  <p>1.3mm - 2.0mm</p>
<p>OPACC 33 Air cap size: 1.5mm - 2.5mm</p>  <p>1.5mm - 2.5mm</p>	<p>OPACC 34 Air cap size: 2.5mm Wide Spray</p>  <p>2.5mm</p>	

ADJUSTING THE PICK UP TUBE

The adjustable swivel pick-up tube allows you to spray at almost every angle. To swivel the pickup tube release the paint container from the spray gun, wipe the pick-up tube to remove any paint and with a firm grip rotate 180 degrees..

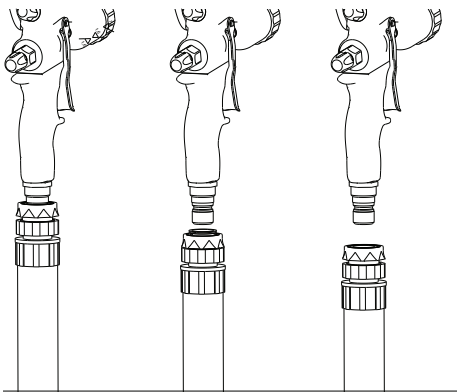
Spraying downwards

Spraying upwards



CONNECTING THE SPRAY GUN TO THE AIR HOSE

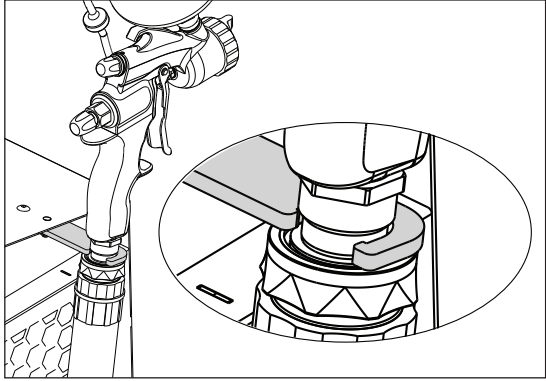
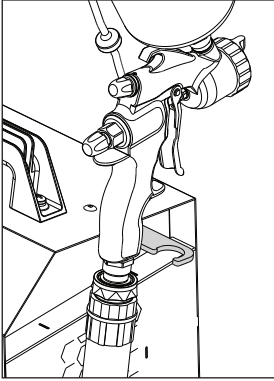
The Spray gun and hose comes with a Quick Connect feature for a fast & simple connection. This allows you to remove the gun effortlessly mid-way through a job for refilling of the paint container.



DOCKING THE GUN

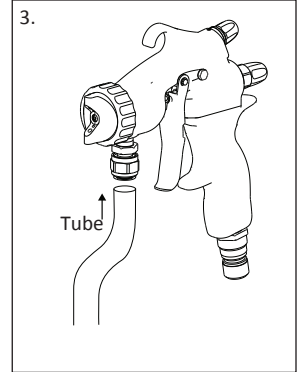
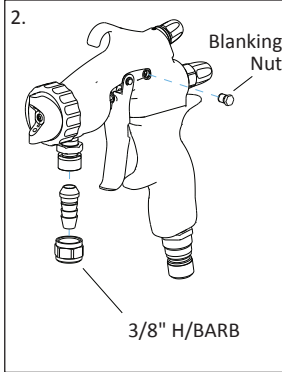
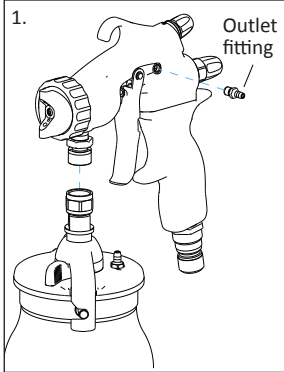
The unit is provided with a retractable swivel arm on the side of the turbine. The gun can be conveniently placed in this docking area with or without the air hose attached.

This makes for handy storage of the gun when in use or not.



SPRAYING WITH PRESSURISED PAINT CONTAINERS

Using a pressurised paint container with your Pro-8™ spray gun is very easy. All you need is the converter 3/8" H/BARB - GUN TO P/POT (0PACC74). This connector allows you to connect directly to the pressurised paint container via the tube.-



Follow these steps to convert your Pro-8™ spray gun:

1. Disconnect the air feed tube from the side of the spray gun.
2. Remove the outlet fitting and install the blanking nut (0P0062) that comes with 0PACC74 – 3/8" Converter.
3. Connect the paint tube.

NOTE: Converter (0PACC74) is not recommended for use with gravity version.

CLEANING INSTRUCTIONS FOR YOUR SPRAY GUN

TYPE OF MATERIAL	CLEANING
Water-based material	Clean with water
Oil-based material	Clean with appropriate thinner

BASIC CLEAN - AFTER EVERY USE & CHANGES OF MATERIAL COLOUR

- Open paint container and pour any left over material from the Pro-8™ gun cup back into its container so that it can be used for the future. Pull the trigger to allow material to run out of the pick-up tube.
- Pour a quantity of the appropriate cleaning solution into the cup, shake the spray gun lightly, reassemble the spray gun, then spray through the spray gun. Repeat this process until the appropriate cleaning material being sprayed is coming through clear. Repeat this with warm soapy water and leave to dry.
- Clean paint container seal.

DEEP CLEAN - BEFORE STORAGE

- Perform basic clean
- Unscrew Air Cap Ring.
- Remove Air Cap.
- Using a 13mm wrench or socket remove the Fluid Tip.
- Place all of these items into a container and clean, using a brush and appropriate thinners.
- Clean the inside of the body of the Spray Gun.
- Rinse gun body and all components with warm soapy water to remove trace of thinners.
- Leave the gun body and components ventilated to thoroughly dry.
- Reassemble parts.

PROBLEM	CAUSE	ACTION REQUIRED
The paint runs or sags	Paint too diluted	Add undiluted paint
	Paint output too high	Reduce the paint output by turning Fluid Control Adjuster clockwise
	Moving too slowly	Increase speed of application
	Spray trigger held too long	Release Trigger sooner
	Spray Gun too close	Increase the distance between the Spray Gun and the work-piece
Paint is too thin or irregular	Paint too diluted	Add undiluted paint
	Paint output too low	Increase the paint output by turning Fluid Control Adjuster counter clockwise
	Moving too fast	Reduce speed of application
	Spray Gun clogged	Clean the Spray Gun
	Spray Gun too far away	Move the Spray Gun closer to the work-piece
No paint being released	Paint too thick	Dilute
	Fluid tip clogged	Clean the Fluid Tip
	Pick-up tube clogged	Clean Pick-Up Tube
	Air hose split	Replace Air Hose
	Air feed tube split	Replace Air Feed Tube
	Grainy Paint	Filter the paint
	Paint container almost empty	Refill Paint Container
	Spray Gun at an angle	Check that the Pick-Up Tube is pointing towards the paint
	Filter - Clogged	Remove/replace cup filter
Paint leaking from the gland nut in front of the trigger	Gland seal not attached or the wrong way round or not tight enough. Over time the gland seal will wear and need adjusting	Reattach the Gland Seal and retighten Gland Nut. To check the gland nut is correctly fitted you will need a small adjustable wrench. Pull the Trigger back and gradually tighten the Gland Nut but by turning it clockwise until the Needle is not free to move when the Trigger is released
Too much paint in the area	You move your wrist	Move your forearm instead

PLEASE NOTE: We have done all we can to ensure that, when used correctly and in accordance with these instructions, the unit has a long and fault-free life. We accept no responsibility for damage caused by the use of incorrect or unsuitable substances, paints or liquids which have not been thinned correctly or which are not suitable for the surfaces to which they are applied, health hazards arising from a lack of ventilation when working in confined spaces or equipment which is faulty due to inadequate cleaning of the components after use. If in doubt, test a small inconspicuous area first. Always read the manufacturer's instructions before use. Neither our warranty nor the above statement affects your statutory rights.

Turbine Design Registration

ECD 002307868-0003

CN 201330263092.9

CN 201330262777.1

US applied for



Spray Gun Design Registration

ECD 002307868-0001

ECD 002307868-0002

CN 201330263092.9

CN 201330262777.1

US applied for

All rights reserved © 2015

EARLEX WILL ACCEPT NO RESPONSIBILITY FOR THE USE OF THIS PRODUCT IF USED FOR ANY PURPOSES OTHER THAN THOSE DETAILED HEREIN.

24 Month Guarantee

Earlex automatically issues a 1 year guarantee on your new Earlex product. To upgrade to a 2 year guarantee for free, please register here www.earlex.co.uk/registration.html within 30 days of purchase.

The guarantee is effective from the date of purchase against defects in materials or workmanship. This guarantee does not cover abuse, accidental damage, misuse, normal wear parts, motor brush replacement or spray gun maintenance & clean up. The guarantee is void if repairs are made or attempted by unauthorised persons. At our option, Earlex will repair or replace defective parts without charge provided the purchaser return products prepaid to the nearest authorized service center or to the factory. Factory returns must first receive a Return Material Authorization.

Please call 1-888-783-2612

In other countries please call the company where you originally purchased the product.

Earlex will not be held liable if equipment is not used solely for the purpose it was designed. Guarantee will become void through improper installation or operation. Any modifications to the equipment or deviations from the recommended procedures, accidental damage or any related action that impairs or abuses intended use and care of Earlex equipment will also void guarantee and liability. In the event of rentals, this guarantee period is restricted to 6 months.



Wagner Spray Tech Corporation

1770 Fernbrook Lane
Plymouth, MN 55447

Helpline telephone no: 888-783-2612

Fax no: 763-553-7154
www.earlex.com



Earlex[®]

PRO-8[™]

PISTOLET DE PULVÉRISATION



MODE D'EMPLOI

Nous vous remercions d'avoir acheté le pistolet de pulvérisation Pro-8 d'Earlex.

VEUILLEZ LIRE LE MODE D'EMPLOI ET LES CONSIGNES DE SÉCURITÉ AVANT D'UTILISER L'APPAREIL.

Veuillez conserver ces documents pour consultation future.



AVERTISSEMENT !

IMPORTANT : « AVERTISSEMENT ! » alerte l'utilisateur d'un danger spécifique
Les autres points sont des conseils qui devraient être suivis pour une utilisation sécuritaire

TOUJOURS SE CONFORMER AUX CONSIGNES DE SÉCURITÉ FOURNIES AVEC CE PRODUIT ET LE MATÉRIEL UTILISÉ

Utiliser l'unité uniquement tel que décrit dans le présent manuel. Des avertissements spécifiques supplémentaires concernant le produit se trouvent à travers ce manuel si nécessaire.



RISQUE D'INCENDIE ET D'EXPLOSION

AVERTISSEMENT ! Les substances utilisées avec ce pistolet pulvérisateur (peintures, revêtements, solvants, etc.) peuvent contenir des matières dangereuses, nocives, explosives ou corrosives.

AVERTISSEMENT ! – Être extrêmement prudent lors de la pulvérisation de matières qui ont un point d'éclair de moins de 100° F (38° C). Vérifier les spécifications techniques sur le contenant de peinture ou de revêtement avant de pulvériser.

- Le pistolet pulvérisateur doit être utilisé uniquement avec des peintures, des revêtements et des solvants qui ont un point d'éclair approprié à une pulvérisation. Consulter les instructions du fabricant de peinture, de revêtement ou de solvant ainsi que les fiches techniques santé-sécurité.
- Ne JAMAIS pulvériser près d'une flamme nue y compris la flamme de veilleuse d'un appareil.
- Ne JAMAIS fumer lors de la pulvérisation.
- NE PAS faire fonctionner des interrupteurs d'éclairage ou des moteurs ou des produits produisant une étincelle similaire dans la zone de pulvérisation si des solvants sont pulvérisés.
- NE PAS utiliser de revêtements ou de matière contenant tout constituant d'hydrocarbure halogéné tel le javellisant et le chlore.
- Toujours débrancher l'unité de l'alimentation électrique lors du remplissage du réservoir de peinture ou de revêtement.
- Garder la turbine dans un endroit bien ventilé.
- Garder la turbine aussi loin de la zone de pulvérisation que le boyau d'air le permet particulièrement lorsque des revêtements à base de solvant sont utilisés.



RISQUE ASSOCIÉ À UNE MAUVAISE UTILISATION DE L'ÉQUIPEMENT

AVERTISSEMENT ! L'utilisation de tout accessoire ou équipement, autre que ceux recommandés dans le présent manuel d'instructions, peut présenter un risque de blessures corporelles.

AVERTISSEMENT ! Utiliser le pistolet pulvérisateur uniquement pour les travaux pour lesquels il a été conçu. Une mauvaise utilisation du pistolet pulvérisateur invalidera la garantie.

AVERTISSEMENT ! Si le cordon d'alimentation est endommagé, il doit être remplacé avec la pièce Earlex appropriée pour éviter tous dangers.

AVERTISSEMENT ! Afin de réduire le risque de choc électrique ne pas exposer à l'eau. Ranger à l'intérieur.

- NE JAMAIS sous aucune circonstance pointer le pistolet pulvérisateur vers une autre personne ou un animal. Dans le cas d'une blessure consulter un expert médical immédiatement.
- NE JAMAIS transporter la turbine lors de la pulvérisation.
- Toujours s'assurer que la ventilation est adéquate lors de la pulvérisation.
- Après chaque utilisation, nettoyer complètement le pistolet pulvérisateur et graisser le pointeau du fluide.
- Cet appareil peut être utilisé par des personnes âgées de 14 ans et plus et des personnes avec des capacités physiques, sensorielles et mentales réduites ou un manque d'expérience et de connaissances s'ils ont reçu une supervision ou instruction concernant l'utilisation de l'appareil de façon sécuritaire et comprennent les dangers impliqués.
- Utiliser uniquement des pièces de rechange originales du fabricant.
- Toujours débrancher l'unité de l'alimentation électrique avant de nettoyer.
- Si une turbine d'un tiers est utilisée - consulter les instructions du fabricant.



ÉQUIPEMENT DE PROTECTION INDIVIDUELLE

AVERTISSEMENT ! Les niveaux de bruit dépassent 85 dB. Il y a donc obligation de protéger l'ouïe de façon appropriée.

- Toujours porter un masque protecteur adéquat lors de la pulvérisation. L'utilisation de gants, de lunettes étanches et de salopettes est aussi recommandé.



SURFACE CHAUDE

- **PRUDENCE :** La sortie de la turbine et le boyau d'air peuvent devenir chauds lors de l'utilisation. Laisser refroidir avant d'enlever le boyau d'air.

INTRODUCTION

Ce puissant système de pulvérisation applique des couches plus rapidement qu'un pinceau ou un rouleau tout en maintenant un fini lisse et précis.

La série SprayPort® est conçue pour le décorateur et le finisseur professionnels. La technologie et les matériaux de pointe sont combinés pour offrir une haute performance constante.

La série SprayPort® est simple à assembler avec des fixations à raccord rapide et pulvérise une grande variété de peintures avec ou sans dilution.

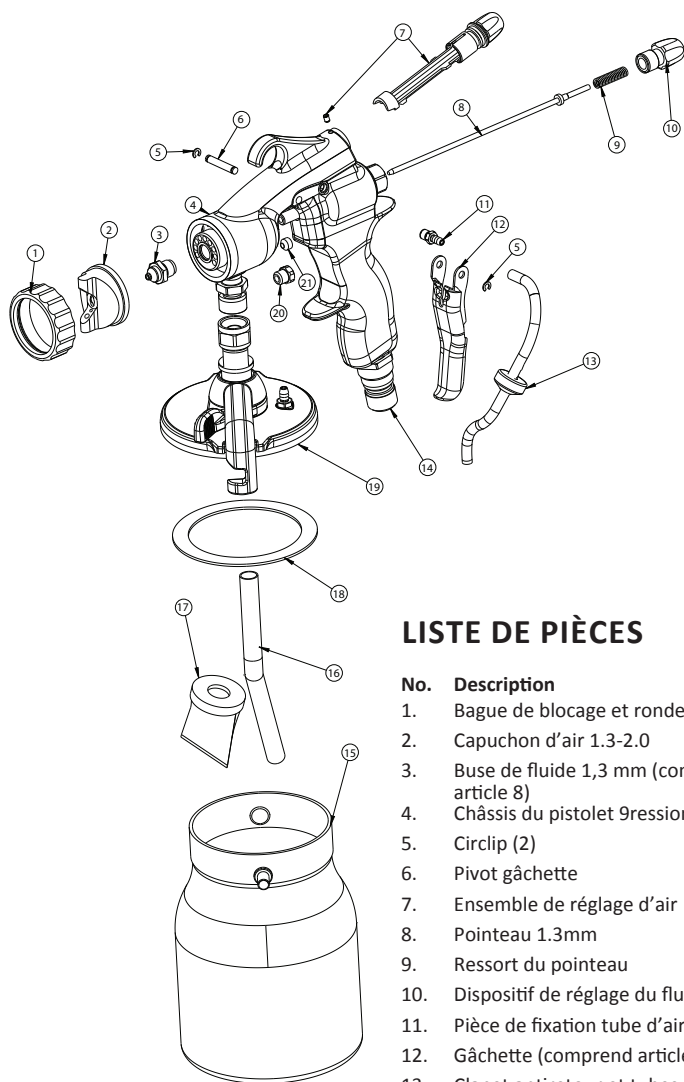
Pour obtenir les résultats désirés, utiliser uniquement une peinture ou un revêtement de bonne qualité. Garder à l'esprit que des températures basses épaississent la peinture ou le revêtement. L'utilisation d'un pistolet pulvérisateur n'est donc pas recommandé en dessous d'une température minimum de 13°C (55°F)

Le Earlex Pro-8™ est un pistolet aérodynamique, non purgeur en aluminium moulé sous pression. Il a été fabriqué pour offrir un niveau supérieur d'atomisation pour assurer un fini parfait. Le pistolet Pro-8™ a été conçu ergonomiquement pour le confort de l'utilisateur et un contrôle aisé. Il est fiable et offre un démontage facile pour l'entretien et un nettoyage facile. Disponible en options Alimenté par gravité et Alimenté par pression.



TALIMENTÉ PAR PRESSION VUE ÉCLATÉE

Pistolet complet N° de pièce 0PACC01

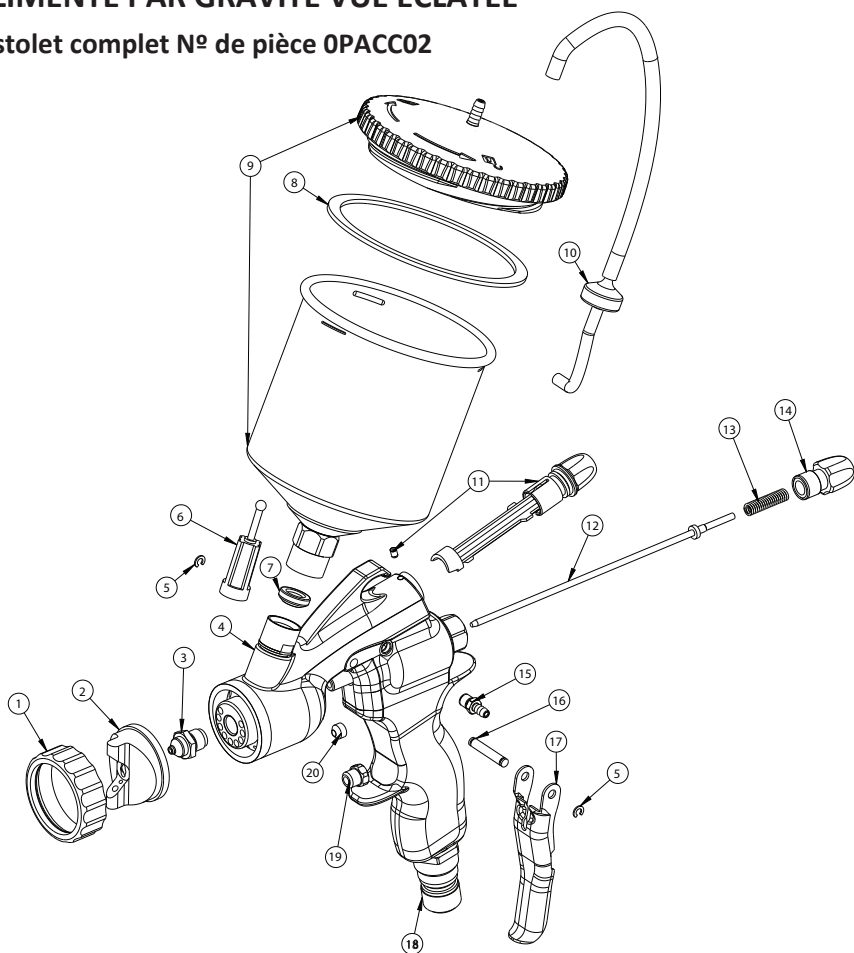


LISTE DE PIÈCES

No.	Description	No. de pièce
1.	Bague de blocage et rondelle	0PACC39
2.	Capuchon d'air 1.3-2.0	0PACC32
3.	Buse de fluide 1,3 mm (comprend article 8)	0PACC13NT
4.	Châssis du pistolet 9ression	-----
5.	Circlip (2)	-----
6.	Pivot gâchette	-----
7.	Ensemble de réglage d'air	0PACC98
8.	Pointeau 1.3mm	-----
9.	Ressort du pointeau	0P0041
10.	Dispositif de réglage du fluide	0PACC101
11.	Pièce de fixation tube d'air	0P0048
12.	Gâchette (comprend articles 5 à 6)	0529526
13.	Clapet antiretour et tubes	0PACC68
14.	Fixation à raccord rapide	0PACC99
15.	Réservoir de peinture 1000 ml	0PACC51
16.	Tube d'aspiration	0PACC115
17.	Filter du réservoir (ensemble de 3)	0PACC70
18.	Joint de clapet	0PACC65
19.	Couvercle et bloc de bobinage	0PACC49
20.	Écrou libre	0P0026
21.	Joint d'étanchéité (ensemble de 3)	0PACC72

ALIMENTÉ PAR GRAVITÉ VUE ÉCLATÉE

Pistolet complet N° de pièce OPACC02



LISTE DE PIÈCES

No.	Description	No. de pièce	No.	Description	No. de pièce
1.	Bague de blocage et rondelle	OPACC39	11.	Ensemble de réglage d'air	OPACC98
2.	Capuchon d'air 1.3-2.0	OPACC32	12.	Pointeau 1.3mm	-----
3.	Buse de fluide 1,3 mm (comprend article 12)	OPACC13NT	13.	Ressort du pointeau	OP0041
4.	Châssis du pistolet gravité	-----	14.	Dispositif de réglage du fluide	OPACC101
5.	Circlip (2)	-----	15.	Pièce de fixation tube d'air	OP0048
6.	Filtre de réservoir	OPACC71	16.	Pivot gâchette	-----
7.	Coupelle d'étanchéité	OP0060	17.	Gâchette (comprend articles 5 et 16)	0529526
8.	Joint d'étanchéité du couvercle du réservoir (ensemble de 3)	OPACC66	18.	Fixation à raccord rapide	OPACC99
9.	Réservoir de peinture 600 ml	OPACC41	19.	Écrou libre	OP0026
10.	Clapet antiretour et tubes	OPACC69	20.	Joint d'étanchéité (ensemble de 3)	OPACC72

DILUTION

La dilution est très importante pour la pulvérisation. La plupart des peintures sont prêtes pour une application au pinceau et peuvent devoir être diluées pour la pulvérisation. Suivre le guide du fabricant pour une dilution en vue d'utiliser avec un pistolet pulvérisateur. En cas de doute, veuillez contacter le fabricant de la peinture. La coupe consistométrique fournie vous aidera à déterminer l'épaisseur appropriée de la peinture. La peinture est « diluée » en ajoutant de la substance de base à la peinture. S'il s'agit d'une peinture à l'eau alors de l'eau est ajouté, si à base d'huile alors de l'essence minérale.

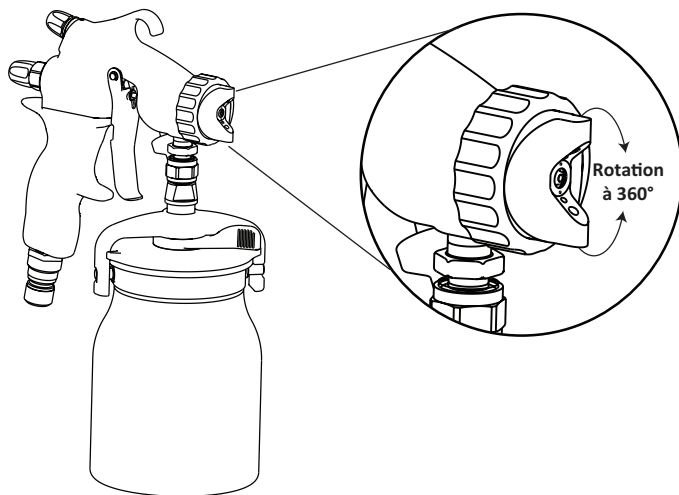
Certains peintures, certains produits de préservation du bois et certains produits pulvérisables peuvent contenir des particules granuleuses. Veuillez vous assurer de filtrer la peinture au moment de remplir le réservoir du pistolet de pulvérisation. Cela garantira une pulvérisation sans problème en veillant à ce qu'aucune grande particule pouvant obstruer le fonctionnement ne puisse entrer dans le réservoir. Nous vous recommandons de porter un masque facial, des gants et des lunettes de sécurité en tout temps pendant la pulvérisation.

TRÈS IMPORTANT : Lors de la pulvérisation pour la première fois, nous vous recommandons d'exécuter le moteur pour de 1 à 2 minutes avant d'appliquer le produit. Ne pas oublier que le fluide vis de réglage (20/24) contrôle le volume de peinture pulvérisée, par exemple, plus le fluide vis de réglage est serrée la moins de peinture est pulvérisée.

MOTIF DE PULVÉRISATION

ROTATION 360° MOTIF DE PULVÉRISATION

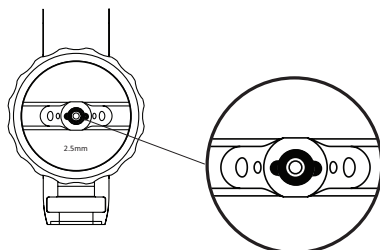
La rotation de 360° du capuchon d'air à l'avant du pistolet permet une flexibilité totale de l'angle de pulvérisation d'horizontal à vertical et n'importe quelle position entre les deux. Ce qui est particulièrement utile dans des endroits confinés ou pour une pulvérisation sur des substrats de forme inusitée.



TÊTE D'AIR PULVÉRISATION LARGE

Exclusif à SprayPort®, le tout premier capuchon d'air Pulvérisation Large est fourni avec certains modèles de SprayPort®. Ce design novateur pulvérise jusqu'à 30% plus large*, ce qui augmente votre productivité.

*Comparé au capuchon d'air 1,5 - 2,5 mm

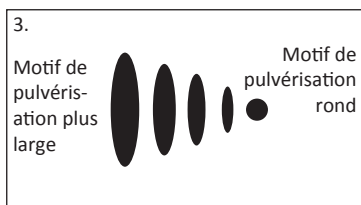
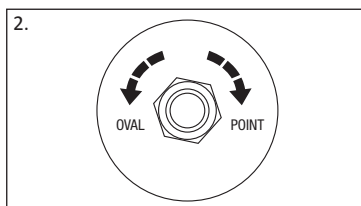
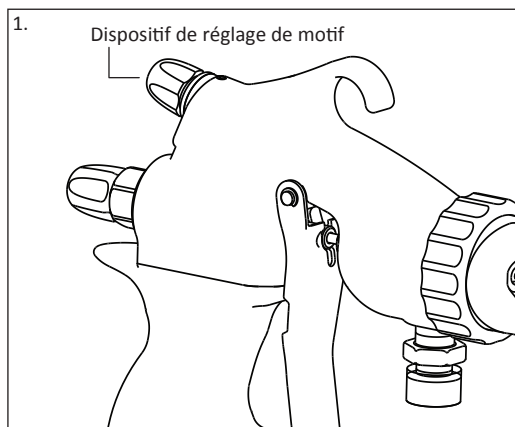


Remarque : Non recommandé pour les pistolets de pulvérisation de la série HV6002.

RÉGLAGES DU PISTOLET PULVÉRISATEUR

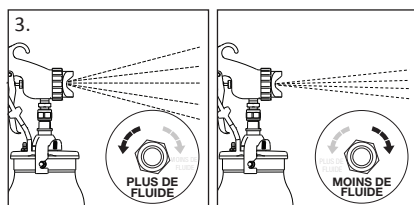
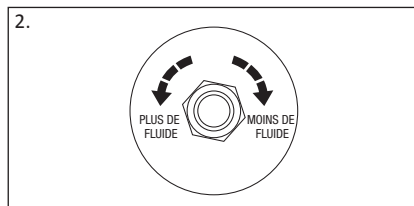
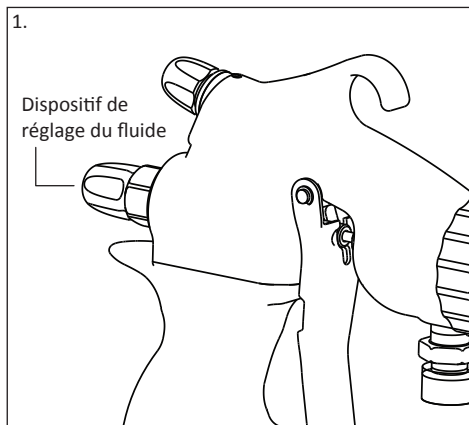
Dispositif de réglage de motif

Le dispositif de réglage de motif sur le pistolet pulvérisateur Pro-8 est placé de façon pratique à l'arrière de pistolet pour vous permettre de changer facilement le motif de pulvérisation sans avoir besoin de régler le capuchon d'air. Le réglage de motif peut être défini comme un motif rond pour des détails compliqués ou une forme elliptique (ovale) qui s'élargit avec le dispositif de réglage de motif, idéal pour des surfaces de différentes grandeurs.



Dispositif de réglage du fluide

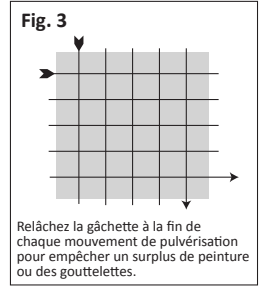
Le réglage de fluide est conçu avec un cadran de contrôle pour offrir un contrôle complet du volume de peinture qui est pulvérisé. Que ce soit pour une grande ou une petite surface, cette caractéristique vous permet de régler le volume selon l'ampleur de la zone à pulvériser.



TECHNIQUE DE PULVÉRISATION

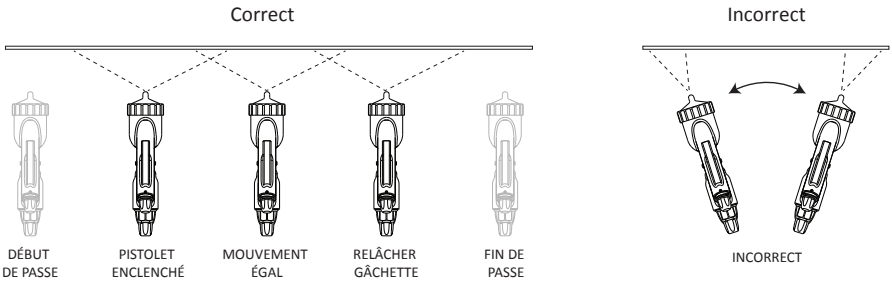
La technique la plus couramment utilisée pour peindre une grande surface est la technique des "hachures croisées", à savoir vous pulvérisez d'abord la peinture en bandes horizontales et ensuite vous croisez par dessus ces bandes en pulvérisant la peinture en bandes verticales (Fig. 3) :

1. Réglez le capuchon d'air pour obtenir une pulvérisation verticale, puis tirez la gâchette et déplacez votre bras vers la droite.
2. Lorsque vous arrivez à la fin de la ligne, relâchez la gâchette pour un moment puis appliquez la matière dans la direction opposée juste en dessous de la ligne que vous avez pulvérisée.
3. Continuez de cette façon en appliquant la matière en lignes horizontales qui chevauchent votre couche précédente de 1/3 à 1/2.
4. Ensuite, réglez le capuchon d'air pour obtenir une pulvérisation horizontale et appliquez le produit en lignes verticales par dessus les lignes que vous venez de pulvériser.



Relâchez la gâchette pour éviter une sur pulvérisation ce qui ferait couler la matière. Pulvérisez par dessus les lignes horizontales (pulvérisées avec un motif vertical) avec des lignes verticales (pulvérisées avec un motif horizontal). Seulement l'avant-bras doit bouger et non le poignet.

Le pistolet pulvérisateur devrait toujours être perpendiculaire à et environ 25-200 mm (1-8 pouces) de la surface à pulvériser. Pulvérisez parallèlement à la surface en faisant des passes douces et contrôlées à une vitesse égale.



CHOISIR LES POINTEAUX, BUSES DE FLUIDE ET CAPUCHONS D'AIR

Lors du jumelage des pointeaux et des capuchons d'air du pistolet pulvérisateur Pro-8™ il est important de regarder les marquages sur le pointeau et sur le capuchon d'air. Le capuchon d'air a le marquage au laser de la taille réelle sur l'avant du capuchon d'air lui-même. Le pointeau a un marquage au laser de la taille sur l'arbre.

Ci-dessous, nous avons assemblé un schéma qui illustre les différentes tailles de capuchon d'air que nous offrons pour le pistolet pulvérisateur Pro-8™ et les numéros d'identification des pointeaux correspondants pour lesquels ils sont jumelés.

COMBINAISON CAPUCHON D'AIR ET POINTEAU

Nous avons 7 grandeurs de pointeau et de buse de fluide disponibles de 0,8 mm à 2,5 mm. Chaque pointeau et buse de fluide Pro-8™ est clairement marqué avec sa grandeur pour faciliter la sélection. Lors de la sélection du pointeau vous devez avoir la buse de fluide qui correspond (le pointeau 1,8 mm ne doit être utilisé qu'avec la buse de fluide 1,8 mm).

Toutefois, pour la sélection du capuchon d'air, vous pouvez les utiliser avec une plage de grandeurs de pointeau/buse de fluide pour obtenir différents effets de pulvérisation.

Le schéma ci-dessous illustre ce que les chapeaux d'air sont compatibles avec les aiguilles qui buses / fluide.

Capuchon d'air	Taille du pointeau	0,8mm	1,0mm	1,3mm	1,5mm	1,8mm	2,0mm	2,5mm
OPACC30	0,8-1,0mm	Léger → Épais						
OPACC31	1,0-1,5mm		Léger → Épais					
OPACC32	1,3-2,0mm			Léger → Épais				
OPACC33	1,5-2,5mm				Léger → Épais			
OPACC34	2,5mm (wide)						Épais	






Léger = Pulvérisation légère
Épais = Pulvérisation épaisse

PLAGE DE CAPUCHON D'AIR

Le pistolet pulvérisateur Pro-8™ est fourni avec un capuchon d'air 1,3 mm - 2 mm en standard. Ce capuchon d'air est compatible avec les pointeaux et buses de fluide de 1,3 mm, 1,5 mm, 1,8 mm et 2 mm.

Il existe 5 grandeurs de capuchon d'air, chacun approprié pour une différente plage de pointeaux et de buses de fluide. Pour faciliter la sélection, chaque capuchon d'air est marqué avec la plage appropriée de grandeurs de pointeaux et de buses de fluide.

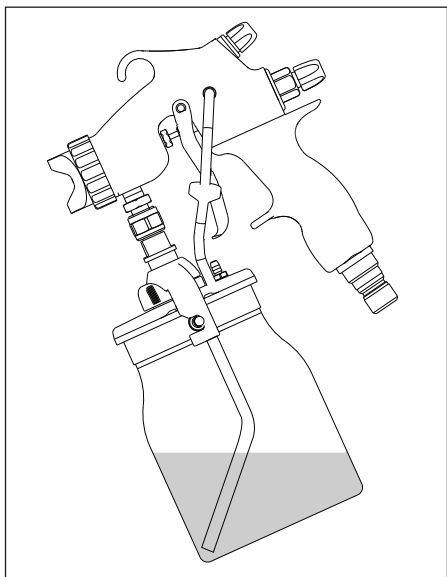
Le capuchon d'air OPACC34 (2,5 mm) est le capuchon d'air à pulvérisation large, conçu pour produire une pulvérisation 30% plus large lorsqu'utilisé avec le pointeau/buse de fluide de 2,5 mm.

OPACC 30 - Taille du capuchon d'air : 0,8mm - 1,0mm	OPACC 31 - Taille du capuchon d'air : 1,0mm - 1,5mm	OPACC 32 - Taille du capuchon d'air : 1,3mm - 2,0mm
 0.8mm - 1.0mm	 1.0mm - 1.5mm	 1.3mm - 2.0mm
OPACC 33 - Taille du capuchon d'air : 1,5mm - 2,5mm	OPACC 34 - Taille du capuchon d'air : 2,5mm Wide Spray	
 1.5mm - 2.5mm	 2.5mm	

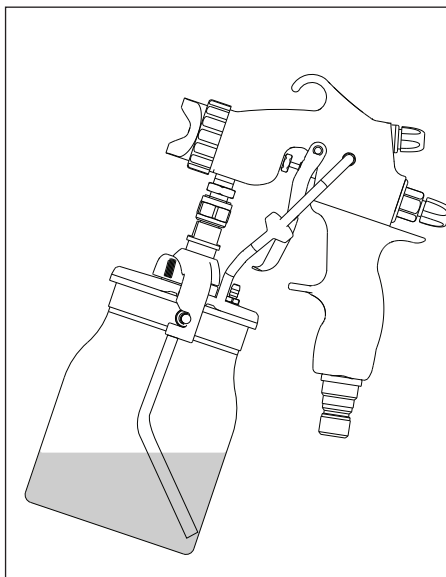
RÉGLER LE TUBE DE PRÉLÈVEMENT

Le tube de prélèvement réglable sur pivot vous permet de pulvériser à partir de presque n'importe quel angle. Pour pivoter le tube de prélèvement, dégager le réservoir de peinture du pistolet pulvérisateur, essayer le tube de prélèvement pour enlever toute peinture et avec une poigne solide tourner 180°.

Pulvériser vers le bas

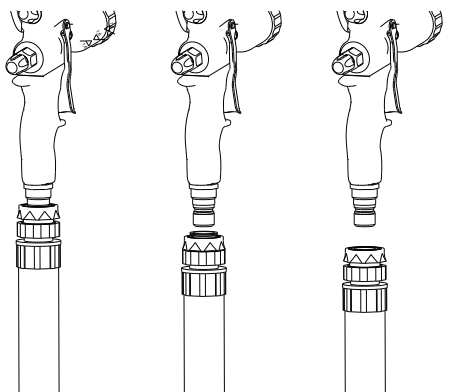


Pulvériser vers le haut



RACCORDER LE PISTOLET PULVÉRISATEUR AU BOYAU D'AIR

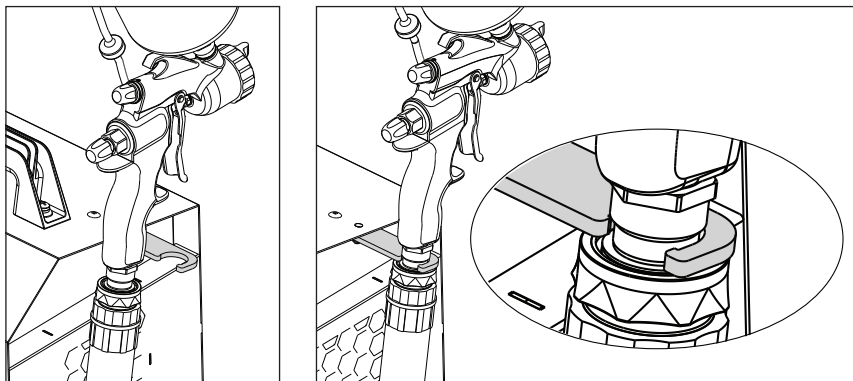
Le pistolet pulvérisateur et le boyau sont équipés de raccords rapides pour un raccordement simple et rapide. Ce qui vous permet d'enlever le pistolet sans effort en plein milieu d'un travail pour remplir le réservoir de peinture.



SUPPORT POUR LE PISTOLET

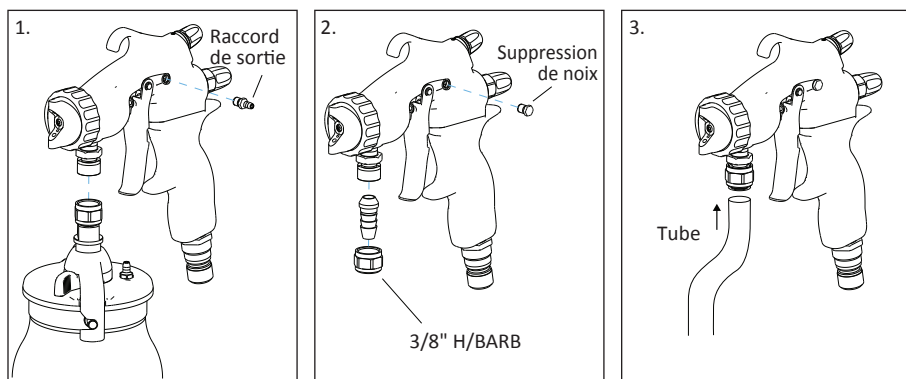
L'appareil est muni d'un bras pivotant escamotable sur le côté de la turbine. Le pistolet peut être placé dans ce support avec ou sans le boyau d'air attaché.

Idéal pour déposer le pistolet lors de l'utilisation ou pour le ranger après utilisation.



PULVERISATION AVEC COMPRIMÉ CONTENANTS DE PEINTURE

Utiliser un réservoir de peinture sous pression avec votre pistolet pulvérisateur Pro-8™ est très facile. Tout ce dont vous avez besoin est du convertisseur 3/8" H/BARB - GUN TO P/POT (0PACC74). Ce connecteur vous permet de brancher directement au réservoir de peinture sous pression via le tube.



Suivre les étapes suivantes pour convertir votre pistolet pulvérisateur Pro-8™ :

1. Débranchez le tube d'alimentation d'air du côté du pistolet pulvérisateur.
2. Enlevez le connecteur d'alimentation d'air et installez la vis d'obturation (0P0062) fournie avec le connecteur – 3/8 po 0PACC74.
3. Connectez le tube de peinture.

REMARQUE: Convertir (0PACC74) n'est pas recommandé pour une utilisation avec la version de gravité.

INSTRUCTIONS DE NETTOYAGE POUR VOTRE PISTOLET PULVÉRISATEUR

TYPE DE MATIÈRE	NETTOYAGE
Matière à base d'eau	Nettoyer avec de l'eau
Matériau à base d'huile	Nettoyer avec des diluants appropriés

NETTOYAGE DE BASE - APRÈS CHAQUE UTILISATION ET CHANGEMENTS DE COULEUR DE PEINTURE

- Ouvrez le récipient de peinture et versez la peinture restante dans le réservoir du pistolet de pulvérisation Pro-8™ dans le récipient afin qu'il puisse être utilisé à l'avenir. Appuyez sur la détente afin de vider le tube d'aspiration.
- Versez une certaine quantité de la solution nettoyante appropriée dans le réservoir, agitez légèrement le pistolet, remontez le pistolet de pulvérisation et pulvérisez la solution. Répétez ces étapes jusqu'à ce que la solution nettoyante pulvérisée soit claire. Répétez ensuite ces étapes avec de l'eau chaude savonneuse et laissez les pièces sécher.
- Nettoyez le joint d'étanchéité du réservoir de peinture.

NETTOYAGE EN PROFONDEUR - AVANT ENTREPOSAGE

- Effectuez un nettoyage de base
- Dévissez la bague du capuchon d'air.
- Enlevez le capuchon d'air.
- À l'aide d'une clé de 13 mm, enlevez la buse de fluide.
- Placez toutes ces pièces dans un contenant et nettoyez en utilisant une brosse et des diluants appropriés.
- Nettoyez l'intérieur du corps du pistolet pulvérisateur.
- Rincez le corps du pistolet et tous les composants dans de l'eau chaude savonneuse pour enlever toutes traces de diluant.
- Séchez minutieusement puis laissez le corps du pistolet et les composants ventilés pour un séchage complet.
- Réassemblez les pièces.

PROBLÈME	CAUSE	ACTION À PRENDRE
La peinture coule ou s'affaisse	La peinture est trop diluée	Ajoutez de la peinture non diluée
	La quantité de peinture en sortie est trop élevée	Réduire le débit de peinture en tournant de réglage de fluide de commande dans le sens horaire
	Le mouvement est trop lent	Augmentez la vitesse d'application
	La gâchette de pulvérisation a été tenue trop longtemps	Sortie Trigger plus tôt
	Le pistolet pulvérisateur est trop près	Augmentez la distance entre le pistolet pulvérisateur et la pièce de travail
La peinture est trop mince ou irrégulière	La peinture est trop diluée	Ajoutez de la peinture non diluée
	La quantité de peinture en sortie est trop faible	Augmenter le débit de peinture en tournant Fluid Ajusteur de contrôle sens anti-horaire
	Le mouvement est trop rapide	Diminuez la vitesse d'application
	Pistolet pulvérisateur bouché	Nettoyez le pistolet pulvérisateur
	Pistolet pulvérisateur trop loin	Placez le pistolet pulvérisateur plus près de la pièce de travail
Aucune peinture ne sort	La peinture est trop épaisse	Diluez
	Buse de fluide bouchée	Nettoyez la buse de fluide
	Tube de prélèvement bouché	Nettoyez le tube de prélèvement
	Le boyau d'air est fendu	Remplacez le boyau d'air
	Le tube d'alimentation d'air est fendu	Remplacer le tube d'alimentation en air fendu
	La peinture est granuleuse	Filtrez la peinture
	Le réservoir de peinture est presque vide	Remplissez le réservoir de peinture
	Le pistolet pulvérisateur est incliné	Assurez-vous que le tube de prélèvement pointe vers la peinture
	Filtre bouché	Retirez / remplacez le filtre de tasse
La peinture s'écoule de l'écrou de presse-garniture à l'avant de la gâchette	Le joint d'étanchéité de presse-garniture n'est pas attaché ou de la mauvaise façon ou pas assez serré. Avec le temps le joint de presse-garniture s'usera et devra être ajusté	Remettez le joint Gland et resserrer Gland Nut. Pour vérifier la écrou presse-étoupe est correctement installé, vous aurez besoin d'un petite clé à molette. Appuyez sur la gâchette arrière et serrez graduellement le Gland Écrou mais en tournant dans le sens horaire jusqu'à ce que l'Aiguille n'est pas libre de se déplacer
Trop de peinture dans la zone	Vous bougez votre poignet	Bougez plutôt votre avant-bras

VEUILLEZ NOTER : Nous avons fait tout notre possible pour nous assurer que, dans le cadre d'une utilisation conforme à ces instructions, ce pistolet pulvérisateur fonctionnera longtemps et sans problème. Nous n'acceptons aucune responsabilité pour des dommages causés par l'utilisation de substances, peintures ou liquides incorrects ou inappropriés qui n'ont pas été dilués correctement ou qui ne sont pas appropriés pour les surfaces sur lesquelles elles sont appliquées, les risques pour la santé résultant d'un manque de ventilation lors de travaux dans des espaces confinés ou de l'équipement qui est défectueux à cause d'un nettoyage inadéquat des composants après utilisation. En cas de doute, toujours faire un test préalable sur une petite zone cachée. Toujours lire les instructions du fabricant avant utilisation. Notre garantie et la déclaration ci-dessus n'affectent pas vos droits statutaires.

**Enregistrement du design de
la turbine**

ECD 002307868-0003

CN 201330263092.9

CN 201330262777.1

É.U. en cours



Enregistrement du design du

ECD 002307868-0001

ECD 002307868-0002

CN 201330263092.9

CN 201330262777.1

É.U. en cours

Tous droits réservés © 2015

EARLEX N'ACCEPTERA AUCUNE RESPONSABILITÉ POUR L'UTILISATION DE CE PRODUIT SI UTILISÉ POUR DES FINS AUTRES QUE CELLES DÉTAILLÉES DANS LA PRÉSENTE.

Garantie 24 mois

Earlex offre une garantie de 24 mois à l'acheteur à compter de la date d'achat contre toutes défectuosités de matériels ou de fabrication. Cette garantie ne couvre pas les abus, dommages accidentels, mauvaises utilisations, usures normales des pièces, remplacement du balai de moteur ou entretien et nettoyage du pistolet pulvérisateur. La garantie est annulée si les réparations sont faites ou tentées par des personnes non autorisées. À notre discrétion, Earlex réparera ou remplacera les pièces défectueuses sans frais en autant que l'acheteur retourne les produits prépayés au centre de service autorisé le plus près ou à l'usine. Les retours à l'usine doivent d'abord recevoir une Autorisation de matériel retourné.

Appelez 1-888-783-2612

Dans d'autres pays veuillez appeler l'entreprise où vous avez acheté le produit originalement.

Earlex ne sera pas tenu responsable si l'équipement n'est pas utilisé uniquement pour les fins pour lesquelles il a été conçu. La garantie sera annulée pour installation incorrecte ou opération inadéquate. Toutes modifications à l'équipement ou déviations des procédures recommandées, dommage accidentel ou toute action reliée qui altère ou abuse l'utilisation et l'entretien prévus de l'équipement Earlex annulera aussi la garantie et la responsabilité. Dans le cas de locations, cette période de garantie est limitée à 6 mois.



Wagner Spray Tech Corporation

1770 Fernbrook Lane
Plymouth, MN 55447

Helpline telephone no: 888-783-2612

Fax no: 763-553-7154
www.earlex.com


Earlex[®]
PRO-8[™]
PISTOLA ROCIADORA



MANUAL DE INSTRUCCIONES DE USO

Gracias por comprar la pistola de rociadora Earlex Pro-8[™].

**ANTES DE UTILIZARLA POR FAVOR LEA EL MANUAL Y LAS INSTRUCCIONES DE
SEGURIDAD.**

Guarde estos documentos para consulta futura.



¡ADVERTENCIA!

IMPORTANTE: El término '¡ADVERTENCIA!' alerta al usuario sobre un riesgo específico. Los demás puntos son recomendaciones que se deberían seguir para un uso seguro

CUMPLA SIEMPRE LAS INSTRUCCIONES DE SEGURIDAD ENTREGADAS CON ESTE PRODUCTO Y EL MATERIAL QUE SE ESTÉ UTILIZANDO

Utilice esta unidad sólo como se describe en este manual. Encontrará advertencias adicionales específicas del producto a lo largo de este manual cuando corresponda.



RIESGO DE INCENDIO Y EXPLOSIÓN

¡ADVERTENCIA! Las sustancias utilizadas con esta pistola para pintar (pinturas, revestimientos, solventes, etc.) pueden contener materiales peligrosos, perjudiciales, explosivos o corrosivos.

¡ADVERTENCIA! Tenga extremo cuidado cuando vaporice cualquier material con un punto de inflamación inferior a 100 °F (38 °C). Compruebe las especificaciones técnicas del recipiente de pintura o revestimiento antes de vaporizar.

- La pistola para pintar debe usarse únicamente con pinturas, revestimientos y solventes que posean un punto de inflamación adecuado para su vaporización. Consulte las instrucciones del fabricante de la pintura, el revestimiento o el solvente, y sus Hojas de datos de seguridad.
- NUNCA vaporice cerca de una llama abierta, incluida la llama piloto de un electrodoméstico.
- NUNCA fume mientras vaporiza.
- NO opere interruptores de luz o ponga en marcha motores o productos similares que generen chispas en el área si vaporiza solventes.
- NO utilice ningún revestimiento o material que contenga compuestos de hidrocarburos halogenados como cloro y lejía.
- Desconecte siempre la unidad del tomacorriente cuando rellene el recipiente de pintura o revestimiento.
- Mantenga la turbina en un área bien ventilada. Mantenga la turbina lo más apartada posible del área de vaporización que la manguera de aire permita, especialmente cuando use revestimiento con base de solvente.



PELIGRO POR EL USO INCORRECTO DEL EQUIPO

¡ADVERTENCIA! El uso de cualquier accesorio o adjunto que no sean los recomendados en este manual de instrucciones puede causar un riesgo de lesiones personales.

¡ADVERTENCIA! Utilice la pistola para pintar únicamente para el trabajo para el cual fue diseñada. El uso incorrecto de la pistola para pintar invalidará la garantía.

¡ADVERTENCIA! Si se daña el juego de cables, se debe reemplazar con la pieza correcta de Earlex para evitar un riesgo.

¡ADVERTENCIA! Para reducir el riesgo de sacudidas eléctricas, no exponer al agua. Guardarla en el interior.

- NUNCA apunte, bajo ninguna circunstancia, la pistola para pintar hacia otra persona o animal. En el caso de una lesión, obtenga asistencia médica inmediatamente.
- NUNCA transporte la turbina mientras vaporice.
- Cuando vaporice, asegúrese siempre de que haya ventilación adecuada.
- Después de cada uso, debe limpiar a fondo la pistola para pintar y engrasar la aguja de fluido.
- Este aparato puede ser utilizado por personas mayores de 14 años y por personas con capacidades físicas, mentales o de los sentidos reducidas o con falta de experiencia y conocimiento siempre que se les proporcione supervisión o instrucción respecto al uso del aparato de manera segura y comprendan los riesgos que implica.
- Utilice sólo piezas de repuesto auténticas del fabricante.
- Desconecte siempre la unidad del tomacorriente antes de limpiarla.
- Si usa una turbina de terceros: consulte las instrucciones del fabricante.



EQUIPO DE PROTECCIÓN PERSONAL

¡ADVERTENCIA! Los niveles de ruido exceden los 85 dB. Por lo tanto, debe utilizar protección auditiva adecuada.

- Lleve siempre la máscara protectora correcta durante la vaporización. También se recomienda el uso de guantes, anteojos y ropa (overol) de seguridad.



¡SUPERFICIE CALIENTE!

PRECAUCIÓN: Las salidas de la turbina y la manguera de aire pueden calentarse con el uso. Deje que se enfríe antes de retirar la manguera de aire.

INTRODUCCIÓN

Este potente sistema de pulverización aplica recubrimientos más rápido que con brocha o rodillo, mientras mantiene un acabado uniforme y preciso.

La serie SprayPort® está diseñada para el pintor o decorador profesional. Combina la tecnología y los materiales más recientes para entregar un rendimiento constantemente alto.

La serie SprayPort® es simple de montar con accesorios de conexión rápida y pulveriza una amplia gama de pinturas con o sin dilución.

Para lograr los resultados deseados, solo use pinturas y recubrimientos de buena calidad. Tenga presente que las temperaturas bajas espesan el recubrimiento de pintura. Por lo tanto, no se recomienda usar la pistola pulverizadora a una temperatura mínima inferior a 13 °C.

La Earlex Pro-8™ es una pistola de diseño funcional, de aluminio fundido sin purga. Ha sido diseñada para brindar un nivel superior de atomización que garantice un acabado perfecto. La pistola Pro-8™ se ha diseñado ergonómicamente para entregar comodidad y un control liviano al usuario. Es confiable y se desmonta fácilmente para realizar mantenimiento y una limpieza simple. Disponible en las opciones de llenado por gravedad y a presión.



VISTA DETALLADA DE LA PISTOLA LLENADA A PRESIÓN

Pieza de la pistola completa n.º OPACC01

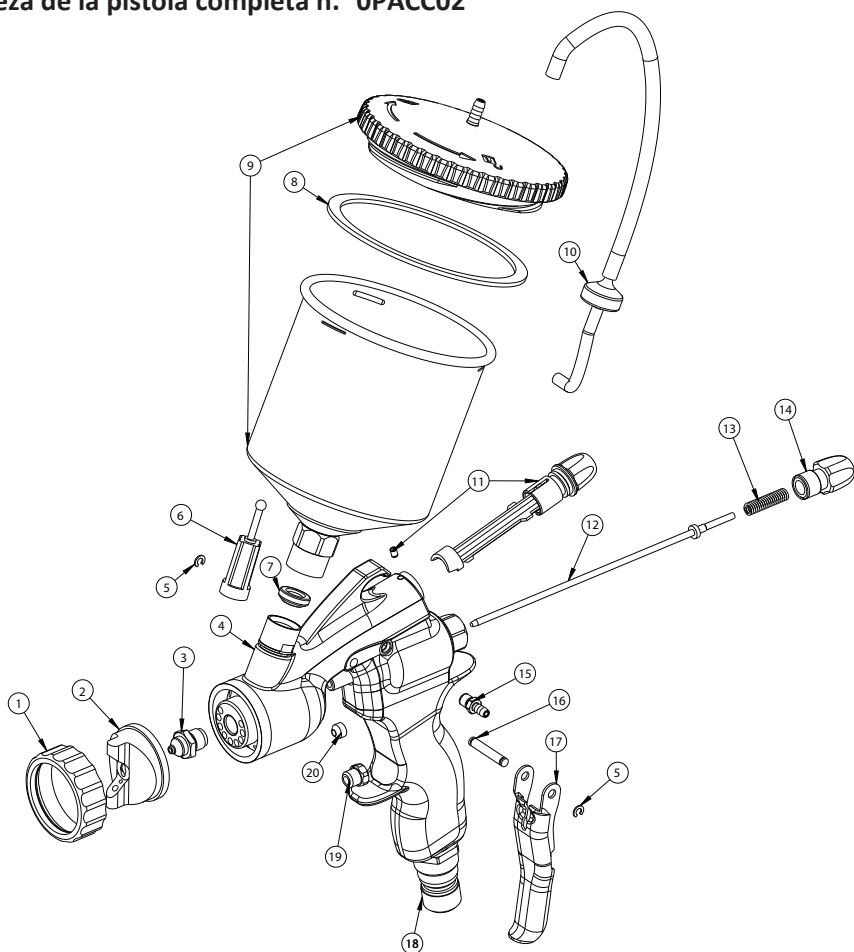


LISTA DE PIEZAS

No.	Descripción	Pieza No.
1.	Anillo y arandela de seguridad	OPACC39
2.	Conjunto del cabezal de aire de 1,3 a 2,0	OPACC32
3.	Boquilla de líquido de 1,3 mm (incluye el elemento 8)	OPACC13NT
4.	Bastidor de la pistola a presión	-----
5.	Abrazadera de retención (2)	-----
6.	Pivote de gatillo	-----
7.	Conjunto de control de aire	OPACC98
8.	Aguja de 1,3 mm	-----
9.	Resorte de la aguja	0P0041
10.	Regulador de líquido	OPACC101
11.	Conexión del tubo de aire	0P0048
12.	Gatillo (incluye los elementos 5-6)	0529526
13.	Válvula de retención y tubos	OPACC68
14.	Accesorio de conexión rápida	OPACC99
15.	Depósito de 1.000 ml	OPACC51
16.	Tubo de succión	OPACC115
17.	Filtro del depósito (paquete de 3 unidades)	OPACC70
18.	Empaquetadura del depósito	OPACC65
19.	Conjunto de tapa y yugo	OPACC49
20.	Tuerca del casquillo	0P0026
21.	Sello del casquillo (paquete de 3 unidades)	OPACC72

VISTA DETALLADA DE LA PISTOLA LLENADA POR GRAVEDAD

Pieza de la pistola completa n.º OPACC02



LISTA DE PIEZAS

No.	Descripción	Pieza No.	No.	Descripción	Pieza No.
1.	Anillo y arandela de seguridad	OPACC39	11.	Conjunto de control de aire	OPACC98
2.	Conjunto del cabezal de aire de 1,3 a 2,0	OPACC32	12.	Aguja de 1,3 mm	-----
3.	Boquilla de líquido de 1,3 mm (incluye el elemento 12)	OPACC13NT	13.	Resorte de la aguja	OP0041
4.	Bastidor de la pistola a gravedad	-----	14.	Regulador de líquido	OPACC101
5.	Abrazadera de retención (2)	-----	15.	Conexión del tubo de aire	OP0048
6.	Filtro del depósito	OPACC71	16.	Pivote de gatillo	-----
7.	Sello del depósito	OP0060	17.	Gatillo (incluye el elemento 5 y 16)	0529526
8.	Empaquetadura de la tapa del depósito (paquete de 3 unidades)	OPACC66	18.	Accesorio de conexión rápida	OPACC99
9.	Depósito de 600 ml y tapa	OPACC41	19.	Tuerca del casquillo	OP0026
10.	Válvula de retención y tubos	OPACC69	20.	Sello del casquillo (paquete de 3 unidades)	OPACC72

DILUCIÓN

La dilución es muy importante cuando se pulveriza. La mayoría de las pinturas se suministran listas para aplicarlas con brocha y es posible que se necesite diluirlas (hacer menos espesa) para efectos de la pulverización. Siga las pautas del fabricante para diluir en relación con una pistola pulverizadora. Si tiene alguna duda, comuníquese con los fabricantes de la pintura. La pintura se “diluye” agregando la sustancia de base de la pintura. Si es una pintura a base de agua, entonces debe agregar agua; si es a base de óleo, entonces debe agregar alcohol mineral.

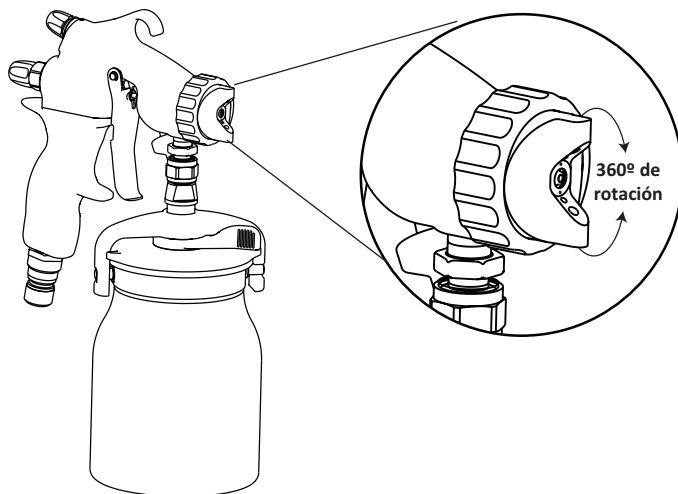
Algunas pinturas, conservantes para madera y otros materiales pulverizables pueden contener partículas que tienen material granulado. Asegúrese de haber filtrado la pintura cuando llene el recipiente de pintura de la pistola pulverizadora. Esto garantizará que ninguna partícula grande que pueda provocar obstrucciones entre al recipiente de pintura, lo que le brindará un pulverizado sin problemas. Recomendamos el uso de una mascarilla, guantes y gafas en todo momento cuando pulverice.

MUY IMPORTANTE: La primera vez que pulverice, recomendamos hacer funcionar el motor durante 1 a 2 minutos antes de aplicar el producto. No olvide que el regulador de control del líquido (20/24) controla el volumen de pintura pulverizada, por ejemplo: mientras más ajustado esté el regulador de control del líquido, se pulverizará menos pintura.

PATRÓN DE PULVERIZACIÓN

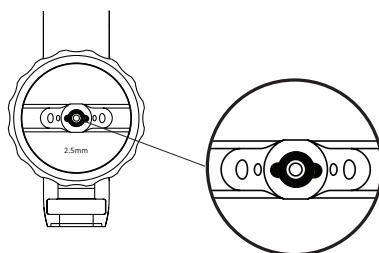
GIRO EN 360° DEL PATRÓN DE PULVERIZACIÓN

El cabezal de aire giratorio en 360° en la parte de delantera de la pistola permite una completa flexibilidad en cualquier ángulo de abanico desde horizontal hasta vertical y todo lo intermedio. Esto es especialmente útil cuando trabaja en espacios estrechos o pulveriza sobre sustratos de formas irregulares.



CABEZAL DE AIRE CON PULVERIZACIÓN ANCHA

Exclusivo para SprayPort®, es el primer accesorio de cabezal de aire con pulverización ancha que se suministra con algunos modelos SprayPort®. Este diseño innovador pulveriza un patrón hasta un 30 % más ancho*, lo que le entrega mayor productividad.



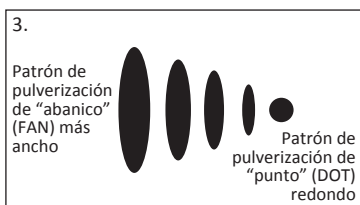
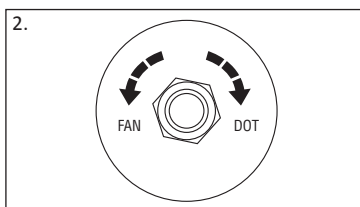
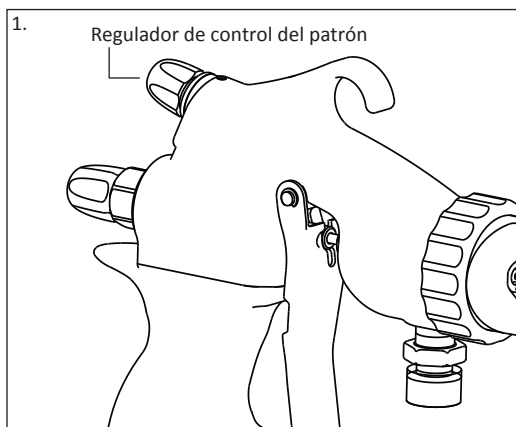
*En comparación con el cabezal de aire de 1,5 a 2,5 mm

Nota: No se recomienda para la serie HV6002.

AJUSTES DE LA PISTOLA PULVERIZADORA

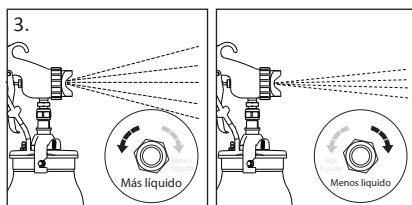
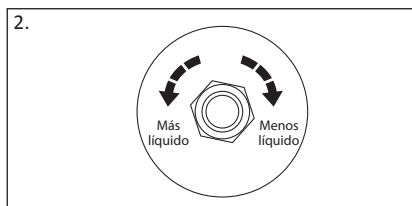
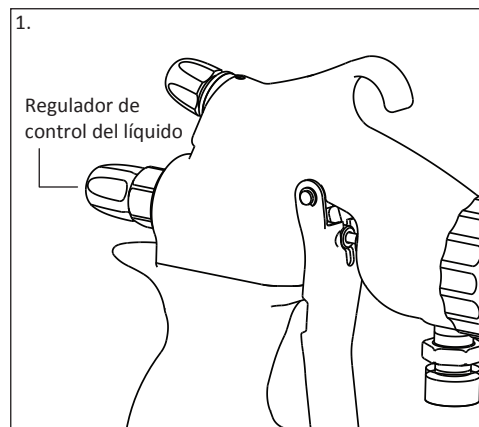
Regulador de control del patrón

El regulador de control del patrón en la pistola Pro-8 está ubicado convenientemente en la parte posterior de la pistola, para que usted pueda cambiar fácilmente el patrón de pulverización, sin necesidad de ajustar el cabezal de aire. El control del patrón se puede establecer en un patrón redondo para trabajo con detalles intrincados o en una forma de abanico elíptica, ideal para superficies de diferentes tamaños.



Regulador de control del líquido

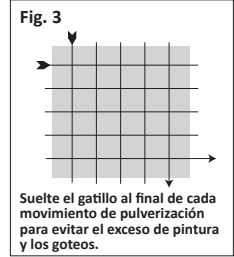
El regulador del líquido está diseñado con un dial que controla completamente el volumen de recubrimiento que se va a pulverizar. Ya sea que trabaje sobre un área de superficie pequeña o grande, esta característica le permite ajustar el volumen de pulverización para adaptarse al tamaño del trabajo.



TÉCNICA DE PULVERIZACIÓN

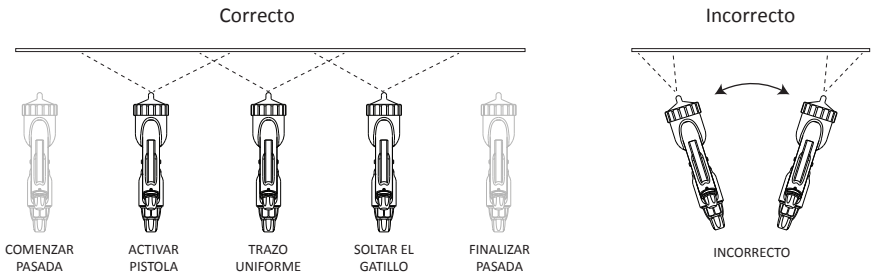
La técnica más común usada para pintar una pared es la técnica de “trama cruzada”; es decir, usted aplica el producto en líneas horizontales y luego, aplica el producto en forma vertical cruzando sobre estas líneas (Fig. 3):

1. Ajuste el cabezal de aire para obtener una pulverización vertical, luego apriete el gatillo y mueva el brazo transversalmente hacia la derecha.
2. Cuando llegue al final de línea, suelte el gatillo por un momento y luego aplique el material en la dirección opuesta, justo debajo de la línea que pulverizó.
3. Proceda de esta manera para aplicar el material en líneas horizontales, sobreponiendo el recubrimiento anterior por $1/3$ a $1/2$ línea.
4. Después, ajuste el cabezal de aire para obtener una pulverización horizontal y aplique en líneas verticales sobre las líneas que acaba de pulverizar.



Suelte el gatillo para evitar el exceso de pulverización, lo que provocará que el material escurra. Cruce sobre las líneas horizontales (pulverizadas con un patrón vertical) con líneas verticales (pulverizadas con un patrón horizontal). Solo debería mover el antebrazo y no la cadera.

La pistola pulverizadora siempre debería estar perpendicular y a aprox. 25 a 200 mm de la superficie de pulverización. Pulverice en forma paralela a la superficie con pasadas suaves y controladas a una velocidad uniforme.



SELECCIÓN DE AGUJAS, BOQUILLAS DE LÍQUIDO Y CABEZALES DE AIRE

Es importante fijarse en las marcas de la aguja y el cabezal de aire de la pistola pulverizadora Pro-8™ cuando los empareje. En la parte delantera del cabezal de aire encontrará grabado el láser de tamaño real. La aguja tiene un láser de tamaño grabado en el eje.

A continuación se muestra una tabla con los distintos tamaños de cabezales de aire que están disponibles para la pistola pulverizadora Pro-8 y los números de identificación de la aguja correspondiente con la que van unidos.

COMBINACIÓN DE AGUJA Y CABEZAL DE AIRE

Hay 7 tamaños de aguja y boquilla de líquido disponibles desde 0,8 mm hasta 2,5 mm. El tamaño de cada aguja y boquilla de líquido de Pro-8™ está claramente señalado en las mismas para facilitar la selección.

Cuando seleccione la aguja, debe tener la boquilla de líquido que corresponda (es decir, use la aguja de 1,8 mm solamente con la boquilla de líquido de 1,8 mm).

No obstante, a la hora de seleccionar el cabezal de aire, tenga en cuenta que se puede usar con agujas y boquillas de líquido de varios tamaños para obtener distintos efectos de pulverización.

En la tabla a continuación se muestra cuáles cabezales de aire son compatibles con las agujas y las boquillas de líquido.

Cabezal de aire	Tamaño de la aguja	0,8mm	1,0mm	1,3mm	1,5mm	1,8mm	2,0mm	2,5mm
OPACC30	0,8-1,0mm	Ligera	Intenso					
OPACC31	1,0-1,5mm		Ligera	Intenso				
OPACC32	1,3-2,0mm			Ligera	Intenso			
OPACC33	1,5-2,5mm				Ligera	Intenso		
OPACC34	2,5mm (wide)							Intenso






Ligera = Pulverización ligera
Intenso = Pulverización intensa

MARGEN DE LOS CABEZALES DE AIRE

La pistola pulverizadora Pro-8™ se suministra como estándar con el de 1,3 mm a 2 mm. Este cabezal de aire es compatible con la aguja y las boquillas de líquido de 1,3 mm, 1,5 mm, 1,8 mm y 2 mm.

Hay 5 tamaños de cabezal de aire disponibles, cada uno corresponde a un margen distinto de aguja y boquillas de líquido. Cada cabezal de aire está marcado con el margen de tamaño adecuado de aguja y boquilla de líquido para facilitar la selección.

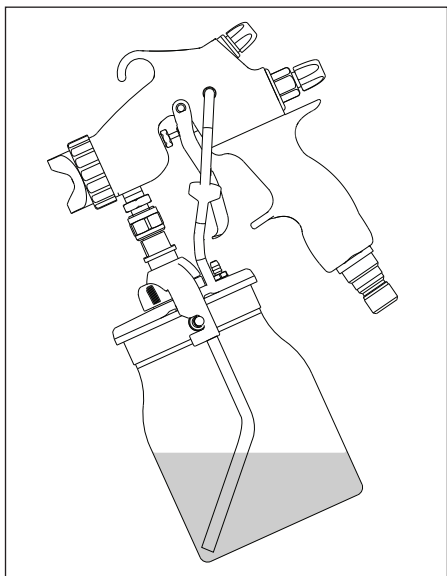
El cabezal de aire OPACC34 (2,5 mm) es el cabezal de aire con pulverización ancha. Está diseñado para producir una pulverización 30 % más ancha cuando se utiliza con la aguja y la boquilla de líquido de 2,5 mm.

<p>OPACC 30 Tamaño del cabezal de aire: 0.8mm - 1.0mm</p>  <p>0.8mm - 1.0mm</p>	<p>OPACC 31 Tamaño del cabezal de aire: 1.0mm - 1.5mm</p>  <p>1.0mm - 1.5mm</p>	<p>OPACC 32 Tamaño del cabezal de aire: 1.3mm - 2.0mm</p>  <p>1.3mm - 2.0mm</p>
<p>OPACC 33 Tamaño del cabezal de aire: 1.5mm - 2.5mm</p>  <p>1.5mm - 2.5mm</p>	<p>OPACC 34 Tamaño del cabezal de aire: 2.5mm Wide Spray</p>  <p>2.5mm</p>	

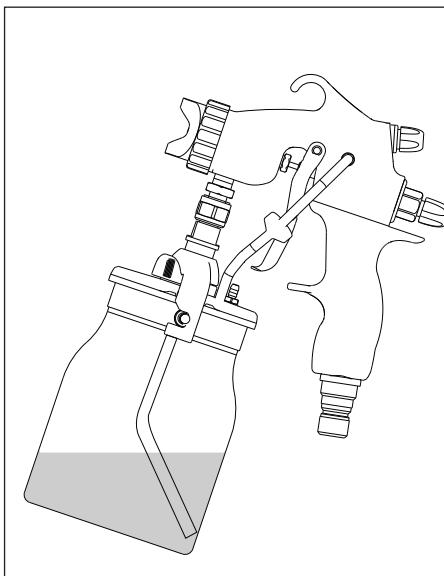
AJUSTE DEL TUBO DE RECOGIDA

El tubo de recogida giratorio ajustable le permite pulverizar en casi cualquier ángulo. Para girar el tubo de recogida, retire el recipiente de pintura de la pistola pulverizadora, limpie el tubo de recogida para quitar toda la pintura y gírelo firmemente en 180 grados.

Pulverización hacia abajo

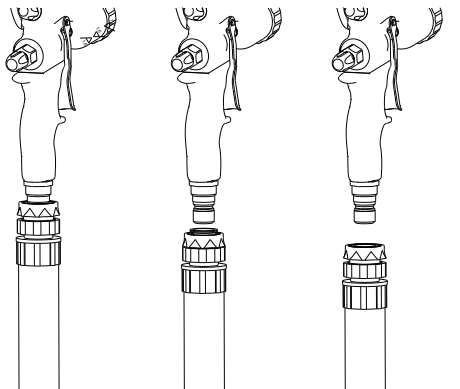


Pulverización hacia arriba



CONEXIÓN DE LA PISTOLA PULVERIZADORA A LA MANGUERA DE AIRE

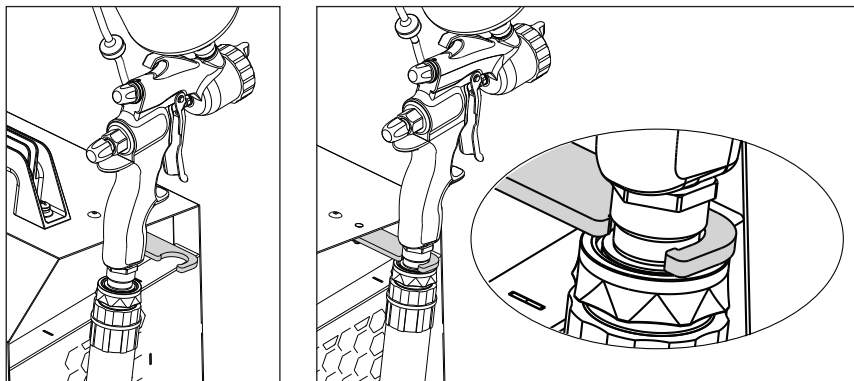
La pistola pulverizadora y la manguera cuentan con una característica de conexión rápida para facilitar y simplificar la conexión. Esto le permite retirar la pistola sin mayor esfuerzo en la mitad de un trabajo para rellenar el recipiente de pintura.



ACOPLAMIENTO DE LA PISTOLA

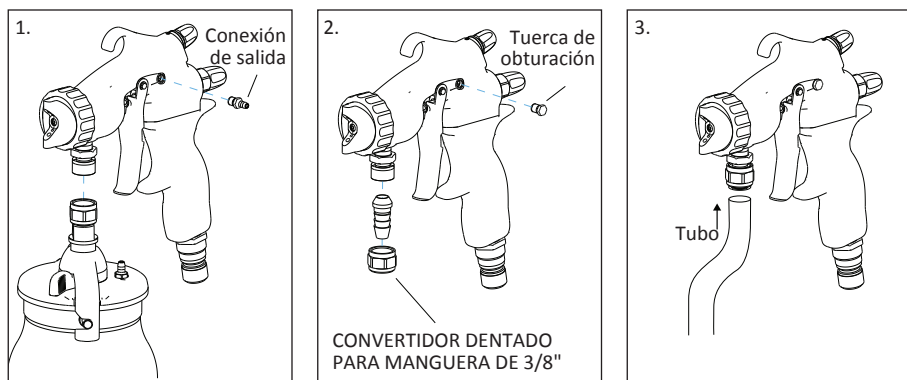
La unidad viene con un brazo giratorio retráctil al lado de la turbina. La pistola se puede colocar convenientemente en esta base de acoplamiento con o sin la manguera conectada.

Esto es útil para almacenar la pistola esté usándola o no.



PULVERIZACIÓN CON RECIPIENTES DE PINTURA PRESURIZADOS

Es muy fácil utilizar un recipiente de pintura presurizado con la pistola pulverizadora Pro-8™. Lo único que necesita es el convertidor DENTADO PARA MANGUERA DE 3/8": PISTOLA A RECIPIENTE PRESURIZADO (0PACC74). Este conector le permite conectarse directamente al recipiente de pintura presurizado a través del tubo.



Siga estos pasos para convertir la pistola pulverizadora Pro 8™:

1. Desconecte el tubo de alimentación de aire del lado de la pistola pulverizadora.
2. Retire la conexión de salida e instale la tuerca de obturación (0P0062) que viene con el 0PACC74 (Convertidor de 3/8")
3. Conecte el tubo de pintura

NOTA: No se recomienda el convertidor (0PACC74) para usarlo con la versión llenada por gravedad.

INSTRUCCIONES PARA LIMPIAR LA PISTOLA PULVERIZADORA

TIPO DE MATERIAL	LIMPIEZA
Material a base de agua	Limpiar con agua
Material a base de óleo	Limpiar con un diluyente adecuado

LIMPIEZA BÁSICA: DESPUÉS DE CADA USO O CAMBIO DE COLOR DEL MATERIAL

- Abra el recipiente de pintura y vierta todo el material sobrante del depósito de la pistola Pro-8™ a su recipiente para que se pueda utilizar en el futuro. Presione el gatillo para que salga todo el material del tubo de recogida.
- Vierta una cantidad de la solución de limpieza adecuada en el depósito, agite levemente la pistola pulverizadora, vuelva a montar la pistola, y luego pulverice con la pistola. Repita este proceso hasta que el material de limpieza adecuado que está pulverizando salga limpio. Repita el proceso con agua tibia con jabón y deje secar.
- Limpie el sello del recipiente de pintura.

LIMPIEZA PROFUNDA: ANTES DE ALMACENAR

- Realice la limpieza básica
- Destornille el anillo del cabezal de aire.
- Retire el cabezal de aire.
- Retire la boquilla de líquido con una llave o llave de tubo de 13 mm.
- Coloque todos estos elementos en un recipiente y límpielos con un cepillo y con los diluyentes adecuados.
- Limpie el interior del cuerpo de la pistola pulverizadora.
- Enjuague el cuerpo de la pistola y todos los componentes con agua tibia con jabón para quitar los restos de diluyente.
- Deje el cuerpo de la pistola y los componentes ventilándose para que se sequen bien.
- Vuelva a montar las piezas.

PROBLEMA	CAUSA	SOLUCIÓN
La pintura se corre	La pintura está muy diluida	Agregue pintura sin diluir
	La salida de pintura es muy alta	Reduzca la salida de pintura girando el regulador de control del líquido en el sentido de las agujas del reloj
	Avanza muy lentamente	Aumente la velocidad de aplicación
	El gatillo se mantiene presionado por mucho tiempo	Suelte antes el gatillo
	La pistola pulverizadora está muy cerca	Aumente la distancia entre la pistola pulverizadora y el objeto en el que está trabajando
La pintura tiene muy poca densidad o es irregular	La pintura está muy diluida	Agregue pintura sin diluir
	La salida de pintura es muy baja	Aumente la salida de pintura girando el regulador de control del líquido en el sentido contrario al de las agujas del reloj
	Avanza muy rápidamente	Disminuya la velocidad de aplicación
	La pistola pulverizadora está obstruida	Limpie la pistola pulverizadora
	La pistola pulverizadora está muy lejos	Acerque la pistola pulverizadora al objeto en el que está trabajando
No sale pintura	La pintura es demasiado espesa	Diluya la pintura
	La boquilla del líquido está obstruida	Limpie la boquilla del líquido
	El tubo de recogida está obstruido	Limpie el tubo de recogida
	La manguera de aire está rota	Reemplace la manguera de aire
	El tubo de alimentación de aire está roto	Reemplace el tubo de alimentación de aire
	Pintura granulada	Filtre la pintura
	El recipiente de pintura está casi vacío	Rellene el recipiente de pintura
	La pistola pulverizadora está inclinada	Verifique que el tubo de recogida apunte hacia la pintura
	El filtro está obstruido	Retire y reemplace el filtro del depósito
Se filtra pintura por la tuerca del casquillo adelante del gatillo	El sello del casquillo no está instalado, está mal puesto o no está lo suficientemente apretado. Con el tiempo, el sello del casquillo se desgastará y será necesario ajustarlo.	Vuelva a instalar el sello del casquillo y vuelva a apretar la tuerca del mismo. Para verificar que la tuerca del casquillo esté correctamente posicionada, necesitará una llave ajustable pequeña. Tire del gatillo y gire gradualmente la tuerca del casquillo en el sentido de las agujas del reloj para apretarlo hasta que la aguja quede fija cuando suelte el gatillo.
Demasiada pintura en el área	Está moviendo la muñeca	Mueva el antebrazo en lugar de la muñeca.

TENGA PRESENTE: Hemos hecho todo lo posible para asegurarnos de que, si se utiliza correctamente y de acuerdo con estas instrucciones, la unidad tenga una vida útil prolongada y sin problemas. No aceptamos ninguna responsabilidad por los daños provocados por el uso de sustancias incorrectas o inadecuadas, pinturas o líquidos que no han sido diluidos correctamente o que no son adecuados para las superficies a las que se aplican, riesgos para la salud como consecuencia de una falta de ventilación cuando se trabaja en espacios cerrados o equipo defectuoso a causa de la limpieza incorrecta de los componentes después de su uso. Si tiene alguna duda, haga primero una prueba en un área pequeña y poco visible. Siempre debe leer las instrucciones del fabricante antes de usar un producto. Ni nuestra garantía ni la declaración anterior afectan sus derechos establecidos por la ley.

Registro del diseño de la turbina

ECD 002307868-0003

CN 201330263092.9

CN 201330262777.1

Solicitud para EE. UU.



Registro de diseño de la pistola para pintar

ECD 002307868-0001

ECD 002307868-0002

CN 201330263092.9

CN 201330262777.1

Solicitud para EE. UU.

Todos los derechos reservados © 2015

EARLEX NO SE RESPONSABILIZARÁ DEL USO DE ESTE PRODUCTO SI SE USÓ PARA PROPÓSITOS DIFERENTES A LOS DETALLADOS EN LAS PRESENTES INSTRUCCIONES.

Garantía de 24 meses

Earlex extiende automáticamente 1 año de garantía para su nuevo producto Earlex. Si desea aumentar gratuitamente la garantía a 2 años, regístrese aquí www.earlex.co.uk/registration.html dentro de un plazo de 30 días posteriores a la compra.

La garantía se hace efectiva a partir de la fecha de la compra contra defectos en el material o en la mano de obra.

Esta garantía no cubre maltrato, daño accidental, mal uso, desgaste normal de piezas, sustitución del buje del motor ni mantenimiento y limpieza de la pistola para pintar. La garantía queda sin validez si se hacen o se intentan hacer reparaciones por parte de personas no autorizadas. A nuestra discreción, Earlex reparará o sustituirá piezas defectuosas sin costo siempre que el comprador devuelva los productos prepagados al centro de servicio autorizado más cercano o a la fábrica. Las devoluciones a la fábrica primero deben recibir una Autorización de devolución de material.

Llame 1-888-783-2612

En otros países, por favor llame a la compañía en la que compró el producto originalmente.

Earlex no se hace responsable si el equipo no se usó exclusivamente para los fines a los que fue diseñado. La garantía quedará sin validez debido a una inadecuada instalación u operación. Cualquier modificación al equipo o desviaciones de los procedimientos recomendados, daño accidental o cualquier acción relacionada que perjudique o maltrate el uso previsto y cuidado del equipo Earlex también dejará sin validez la garantía y la responsabilidad. En el caso de alquiler, este periodo de garantía está restringido a 6 meses.



Wagner Spray Tech Corporation

1770 Fernbrook Lane

Plymouth, MN 55447

Helpline telephone no: 888-783-2612

Fax no: 763-553-7154

www.earlex.com

