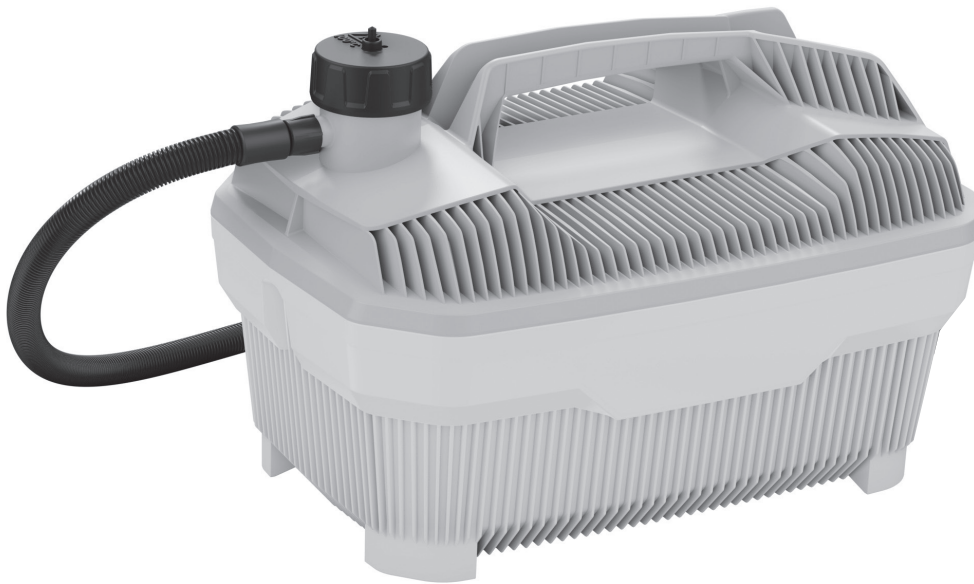


STEAM GENERATOR

Models 2418923 and 2418924



OPERATING INSTRUCTIONS

Thank you for purchasing an Earlex Steam Generator. This is a highly versatile machine.

In order to obtain the best results please read the instructions before commencing any work.

BEFORE USE - PLEASE READ THE MANUAL AND SAFETY INSTRUCTIONS.

Please retain for future reference.

Wagner Spray Tech Corp. will accept no responsibility for the use of this product if used for any other purposes than those detailed herein.

NOTICE D'UTILISATION

Nous vous remercions d'avoir acheté un générateur de vapeur Earlex. Il s'agit d'une machine très polyvalente.

Afin d'obtenir les meilleurs résultats, veuillez lire les instructions avant de commencer à travailler.

AVANT L'UTILISATION – VEUILLEZ LIRE LE MANUEL ET LES CONSIGNES DE SÉCURITÉ.

Veillez les conserver aux fins de consultations ultérieures.

Wagner Spray Tech Corp. n'assume aucune responsabilité pour l'utilisation du produit s'il est utilisé à des fins autres que celles décrites ci-dessous.

INSTRUCCIONES DE OPERACIÓN

Gracias por comprar el generador de vapor Earlex. Esta es una máquina sumamente versátil.

Con el fin de obtener los mejores resultados lea las instrucciones antes de comenzar cualquier trabajo.

ANTES DE USAR, LEA EL MANUAL Y LAS INSTRUCCIONES DE SEGURIDAD.

Guárdelos para referencia futura.

Wagner Spray Tech Corp. no aceptará responsabilidades por el uso de este producto, si se usa para fines que no se detallan aquí.

IMPORTANT SAFETY INFORMATION

EXPLANATION OF SYMBOLS

Read all safety information before operating the equipment. Save these instructions.

To reduce the risks of fire or explosion, electrical shock and the injury to persons, read and understand all instructions included in this manual. Be familiar with the controls and proper usage of the equipment.



→ This symbol indicates a potential hazard that may cause serious injury or loss of life. Important safety information will follow.



→ This symbol indicates a potential hazard to you or to the equipment. Important information that tells how to prevent damage to the equipment or how to avoid causes of minor injuries will follow.



→ **HOT STEAM AND PARTS.** May cause injury, including skin burns or property damage. Temperatures exceed 212° F (100° C).



→ **FIRE.** May cause severe injury and/or property damage



→ **ELECTRIC SHOCK.** May cause severe injury.



→ Notes give important information which should be given special attention.

GROUNDING INSTRUCTIONS

This product should be grounded. In the event of an electrical short circuit, grounding reduces the risk of electric shock by providing an escape wire for the electric current. This product is equipped with a cord having a grounding wire with an appropriate grounding plug. The plug must be plugged into an outlet that is properly installed and grounded in accordance with all local codes and ordinances.



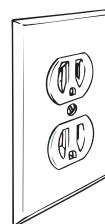
WARNING - Improper installation of the grounding plug can result in a risk of electric shock.

If repair or replacement of the cord or plug is necessary, have your nearest Earlex Authorized Service Center replace it.

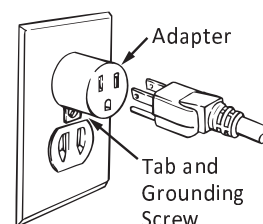
Check with a qualified electrician or serviceman if the grounding instructions are not completely understood, or if in doubt as to whether the product is properly grounded. Do not modify the plug provided; if it will not fit the outlet, have the proper outlet installed by a qualified electrician.

EXTENSION CORDS

Use only a 3-wire extension cord that has a 3-blade grounding plug, and a 3-slot receptacle that will accept the plug on the product. Make sure your extension cord is in good condition. When using an extension cord, be sure to use one heavy enough to carry the current your product will draw. An undersized cord will cause a drop in line voltage resulting in loss of power and overheating. For lengths up to 50 feet, use 14 AWG extension cords.



Grounded Outlet



Grounded Outlet Box

SAFETY HAZARDS

Please read these instructions carefully before use.

GENERAL SAFETY INSTRUCTIONS

- **Keep your workplace clean and well lit.** Disorderly or unlit workplaces may result in accidents.
- **Never use the tool in hazardous areas that contain flammable liquids, gases or dusts.** Power tools generate sparks that can ignite the dust or vapours.
- **Keep children and other persons away when using the power tool.** You can lose control of the tool if you are distracted.
- **The tool plug must fit into the socket-outlet. The plug may not be modified in any form. Do not use adaptor plugs together with grounded tools.** Unmodified plugs and suitable sockets reduce the risk of an electric shock.
- **Avoid physical contact with grounded surfaces such as pipes, heating elements, stoves and refrigerators.** The risk through electric shock increases if your body is grounded.

SAFETY INSTRUCTIONS FOR STEAM GENERATOR

- **Attention!** When working with hot steam (min.212°F, 100°C), there is a risk of serious scalding. Hot steam and boiling water can emit when the safety valve (4 A) is activated due to overpressure in incorrect operation of the unit.
- Only change position during use, with care. The steam unit, hose and accessories can be very hot. Always wear suitable protective clothing / gloves.
- Operate the unit only with pure water without agents or additives. Do not switch the unit on when empty.
- This device is not to be used for space heating purposes.
- Never point the hose adapter / accessories at people, animals or at objects sensitive to temperature. Always ensure that the unit is standing securely in a horizontal position (on the floor).

IMPORTANT SAFETY INFORMATION

- Do not stand on or place objects onto the unit or steam hose. Never over-twist or make kinks in the steam hose, and never block the valve. Only carry the unit by its handle. Never pull on the steam hose or supply cord.
- Never submerge the unit in liquid. Every time the accessory is changed for filling / refilling and emptying or when the steam unit is not in use (including work pauses), pull the mains plug out of the socket-outlet. Never overfill the unit. Unplug the power cord in the event of overfilling or a fault.
- Use only EARLEX original spare parts and accessories!
- The unit switches off automatically in case of overheating. After approx.10 minutes, the unit switches itself back on automatically.
- The steam time is approximately 2 hours. Never leave a unit unattended if it is on. Keep the unit away from children and animals. Don't boil dry.



Before loosening the filler cap always allow the unit to cool down for at least 2 minutes. Caution! Risk of scalding!

HOW TO BUILD A STEAM BOX - SAFETY INSTRUCTIONS

Bending wood with steam can be dangerous and should only be performed by experienced woodworking enthusiasts. **Thick, heat-resistant gloves** are recommended as the steam can easily burn unprotected skin on contact. Also keep your face clear from any areas where steam may escape and burn you.

Steam is a very effective medium for bending wood. Most hardwoods will bend better than softwoods.

Steam boxes can be built using plywood or hardwood; just make sure that it can stand up to moisture and heat. Your steam box should be tight, but not too tight. The steam should be able to surround your wood-piece and flow out of the steam box. The steam box could build up pressure and possibly explode if the steam does not adequately flow through the steam box and pressure relief holes.

The best way is to build a relatively tight box and drill holes in the base so that the steam and condensation can escape. You should have a steady stream of steam escaping through all vents. You will need to make sure that your wood pieces are supported in your steam box and that the steam surrounds your wood on all sides. Dowel rods work the best as metal rods can heat up and burn your wood as well as yourself.

As a wooden steam box, you can use common 1 x 6 material or 3/4" thick plywood. A 5" x 5" interior dimension with a 3'-5' length for use with your Steam Generator. You should have a door opening with hinges and a latch. A rubber weather stripping can be used to seal a leaky door.

The brass-threaded fitting that is supplied with your Steam Generator is designed to fit a 9/16" dia hole. Drill this hole in your steam box and separate the fitting, placing one end through the steam box with the thread that will connect to the hose sticking out of the steam box. Screw the other part of the fitting onto the fitting inside the steam box and tighten up to ensure a good seal. There should be no movement of the connector once tightened up.

Ideally the steam box should be on a slight incline for condensation to drain to one end and exit the steam box.

Fill your steam generator with clean water, do not add any additives. **DO NOT FILL ABOVE MAX LEVEL LINE** on Steam Generator base. The steam up time will be controlled by how much water you fill the Steam Generator with and the temperature of the water. The Steam Generator is designed to provide two hours of steam. If you only require one hour of steam then half fill the Steam Generator.

Place your wood-pieces into the steam box and connect the hose to the steam box and Steam Generator. Plug the Steam Generator into a grounded outlet, preferably one protected by a GFCI or ALCI. The Steam Generator will automatically start to heat up.

When starting we recommend that you insert a **meat thermometer** through a small hole to read the temperature. You want to reach 212°F, or as close as possible. Once you have reached this temperature start timing how long your wood needs to be steamed.

A general rule to follow is that you should steam the wood for **1 hour per every inch thickness of the wood. So for ½" thick pieces you should allow 30 minutes.**

You will need a **mould or jig** to hold the wood in place until it dries out after you remove such from the Steam Box.

This is a general outline on building a Steam Box.

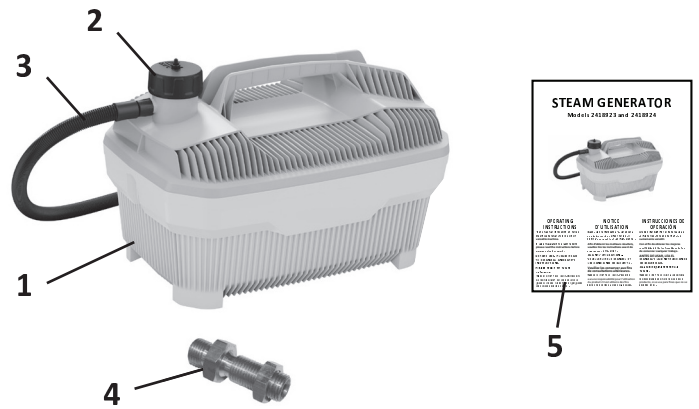
There are many websites available to use for more detailed instructions.

TECHNICAL DATA

Power source:	120 V ~
Power consumption:	1500W
Steaming time:	2 hours
Water tank capacity:	4 l
Hose length:	12'
Unit weight:	3 lbs

OPERATION

#	Part No.	Description
1	-----	Water tank
2	2410370	Filler cap
3	2413475	Steam hose
4	OK0046	Hose adapter
5	-----	Operating manual



USAGE

1. Remove filler cap and fill unit with clean water to the MAX level line indicator. Replace cap (Fig. 1+2).
 2. Screw hose onto threaded outlets of water tank and hose adapter, hand-tight is sufficient. Do not overtighten (Fig. 3).
 3. Plug power cord into outlet (Fig. 4).
- It can take up to 15 mins (approx.) before steam is produced - depending on fill water quantity and temperature.
 - Do not leave unattended and keep children and pets out of the room.
 - Just before full steam production a small amount of bubbling and water will occur at the hose adapter.
 - Beware of hot water discharge prior to steam emission.
 - Operate steamer until water level is low, then unplug unit and allow to cool for at least 2 minutes (Fig. 5).



Hot liquid or steam can burn. Danger of scalding. Steam may also condense into boiling droplets.

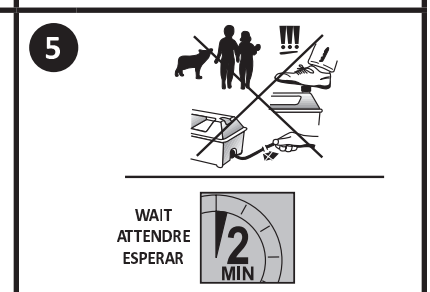
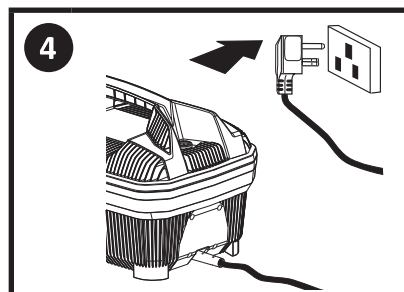
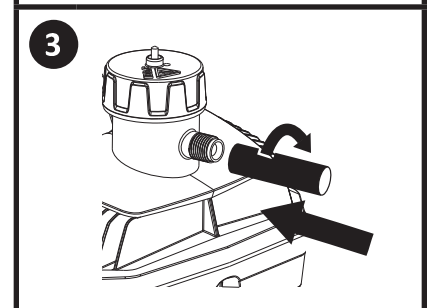
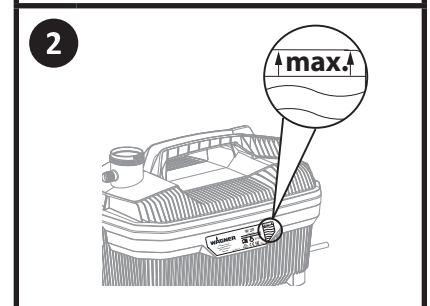
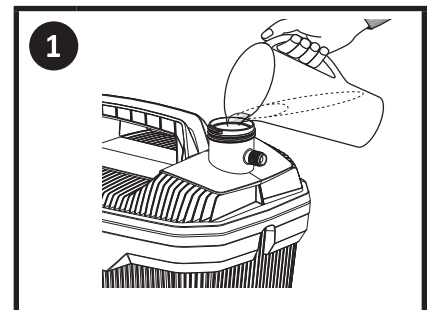
Steam should not be directed towards electrical appliances. Danger of scalding appears on the cap as either symbol.



Beware of steam - before removing the filler cap and refilling unit. When finished, allow to cool completely and empty unit. Always store unit empty and dry.



A full 5-liter water tank will provide approximately 2 hours of steam time.



Questions? Call: 1-800-727-4023



Wagner Spray Tech Corporation,
1770 Fernbrook Lane, Plymouth, MN 55447

Tel 1-800-727-4023